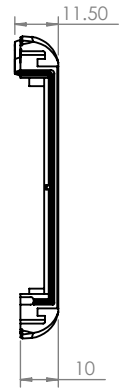
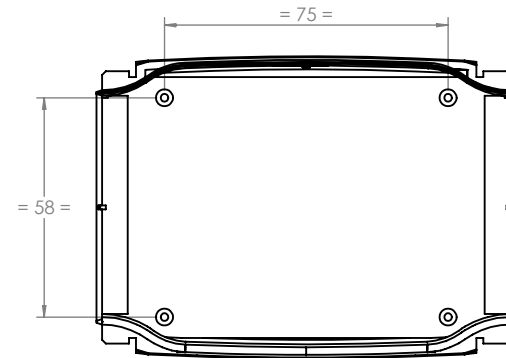
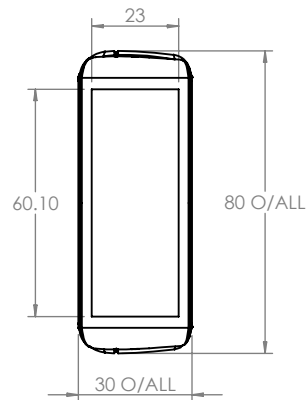
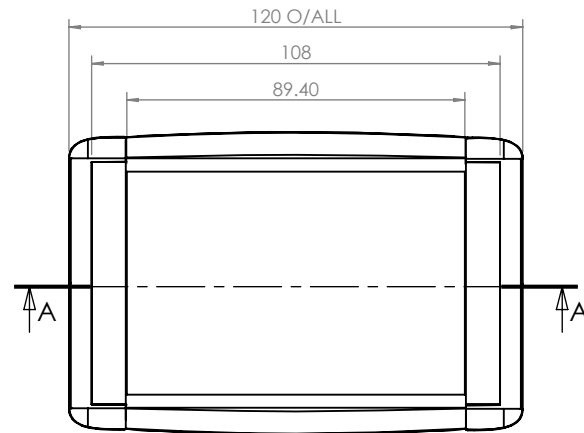


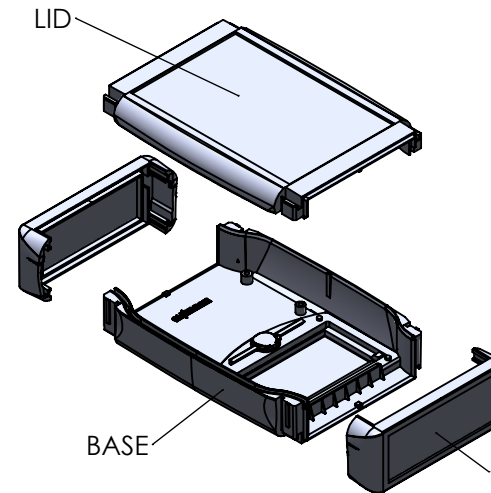
BASE



TOP

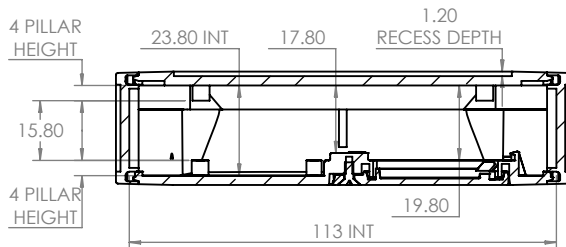


ISO VIEW
1:3



END CAP & BATTERY
COMPARTMENTS SUPPLIED
SEPERATELY

- CHH64E2OR
- CHH64E2GR
- CHH64E2YL
- CHH64E2BL
- CHH64E2RD
- CHH64E2DG
- CHH64E2BK



ASSEMBLY

SECTION A-A

<p>CAMDENBOSS ELECTRONICS & ENCLOSURES</p> <p>JAMES CARTER RD, MILDENHALL, SUFFOLK. IP28 7DE TEL: 01638 716101 FAX: 01638 716554 EMAIL: Sales@CamdenBoss.com WEB: www.CamdenBoss.com</p>		UNLESS OTHERWISE SPECIFIED: DIMENSIONS ARE IN MILLIMETERS		DO NOT SCALE DRAWING	REVISION. 0
		GENERAL TOLERANCES +/- 0.2		TITLE: GENERAL ASSEMBLY DRAWING FOR 64 SERIES	
DRAWN JAMIE JACOBS		SIGNED JNJ	DATE 24/06/13	FINISH: LIGHT SPARK	DWG NO. CHH644BBK
CHKD	-	-	-	MATERIAL. UL94-V0 ABS BLACK	SCALE: 1 : 2
				PROJECTION.	SHEET 1 OF 1

A4