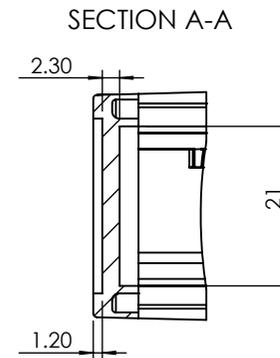
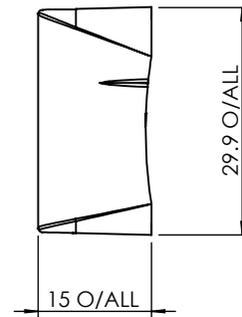
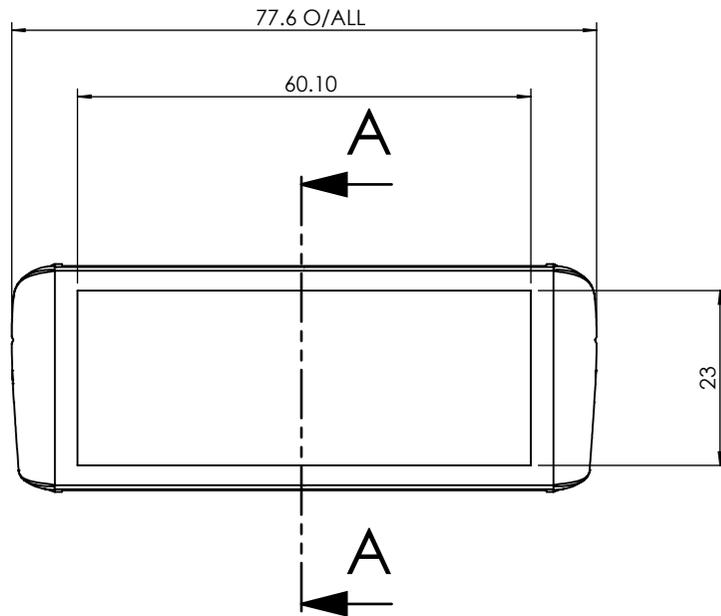


ISO VIEW  
1:1



**CAMDENBOSS**  
ELECTRONICS & ENCLOSURES  
JAMES CARTER RD, MILDENHALL, SUFFOLK. IP28 7DE  
TEL: 01638 716101 FAX: 01638 716554  
EMAIL: Sales@CamdenBoss.com  
WEB: www.CamdenBoss.com

UNLESS OTHERWISE SPECIFIED:  
DIMENSIONS ARE IN MILLIMETERS

GENERAL TOLERANCES +/- 0.2

FINISH. FINE TEXTURE

MATERIAL. UL94 - V0 ABS

DO NOT SCALE DRAWING

REVISION.

TITLE:  
**64 SERIES END CAP SIZE 2, BLACK**

	NAME	SIGNED	DATE
DRAWN	LEWIS LETCHFORD	LL	02/04/2014
CHK'D	-	-	-

DWG NO. **CHH64E2BK** A4

PROJECTION.

SCALE. 1:1

SHEET 1 OF 1