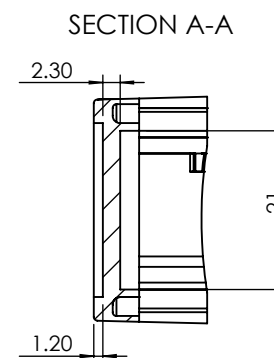
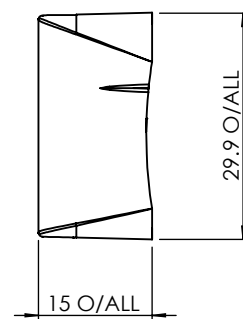
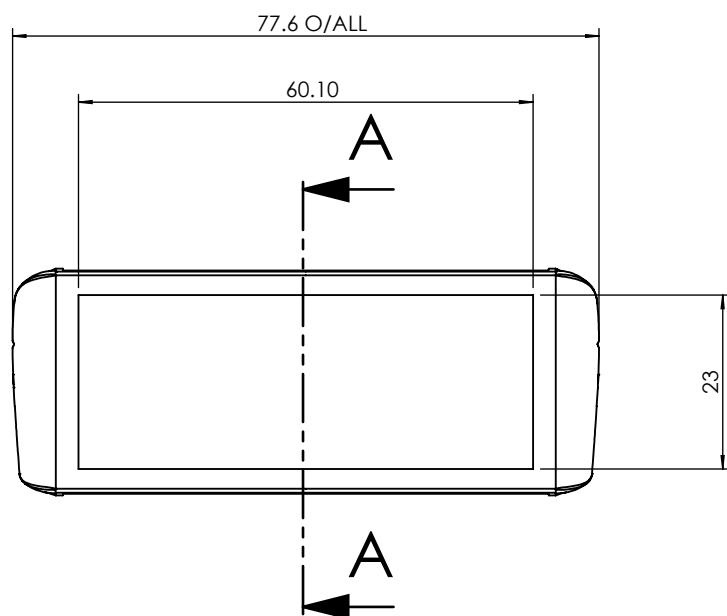


ISO VIEW
1:1



CAMDENBOSS
ELECTRONICS & ENCLOSURES
JAMES CARTER RD, MILDENHALL, SUFFOLK. IP28 7DE
TEL: 01638 716101 FAX: 01638 716554
EMAIL: Sales@CamdenBoss.com
WEB: www.CamdenBoss.com

UNLESS OTHERWISE SPECIFIED:
DIMENSIONS ARE IN MILLIMETERS

GENERAL TOLERANCES +/- 0.2

FINISH. FINE TEXTURE

MATERIAL. UL94 - V0 ABS

DO NOT SCALE DRAWING

REVISION.

TITLE:

64 SERIES END CAP SIZE 2, GREEN

DWG NO.

CHH64E2GR

A4

	NAME	SIGNED	DATE
DRAWN	LEWIS LETCHFORD	LL	02/04/2014
CHK'D	-	-	-

PROJECTION.

SCALE. 1:1

SHEET 1 OF 1