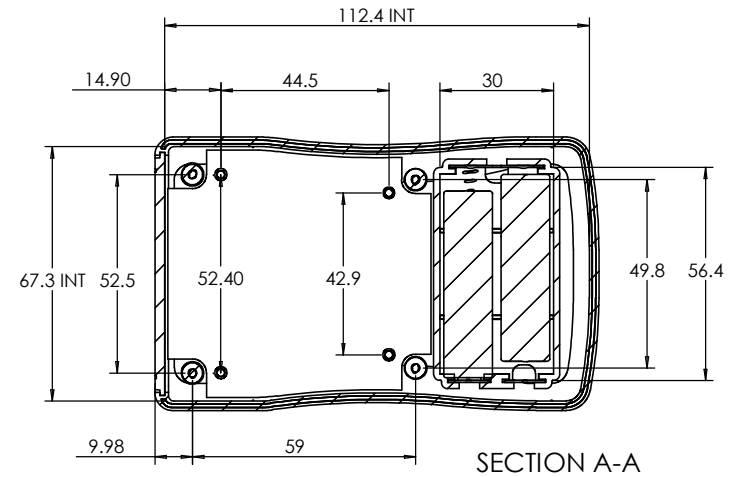
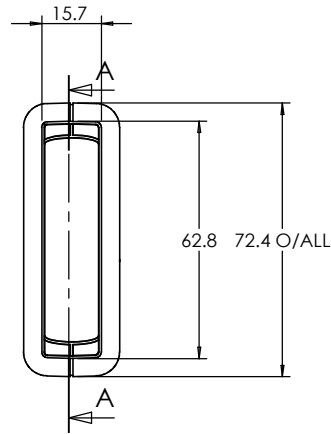
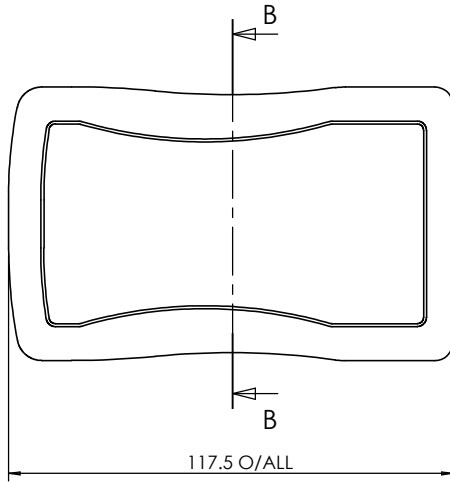
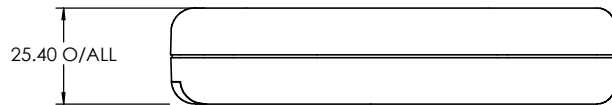


SECTION B-B



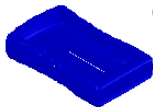
SECTION A-A



RUBBER BOOT (OPTIONAL)



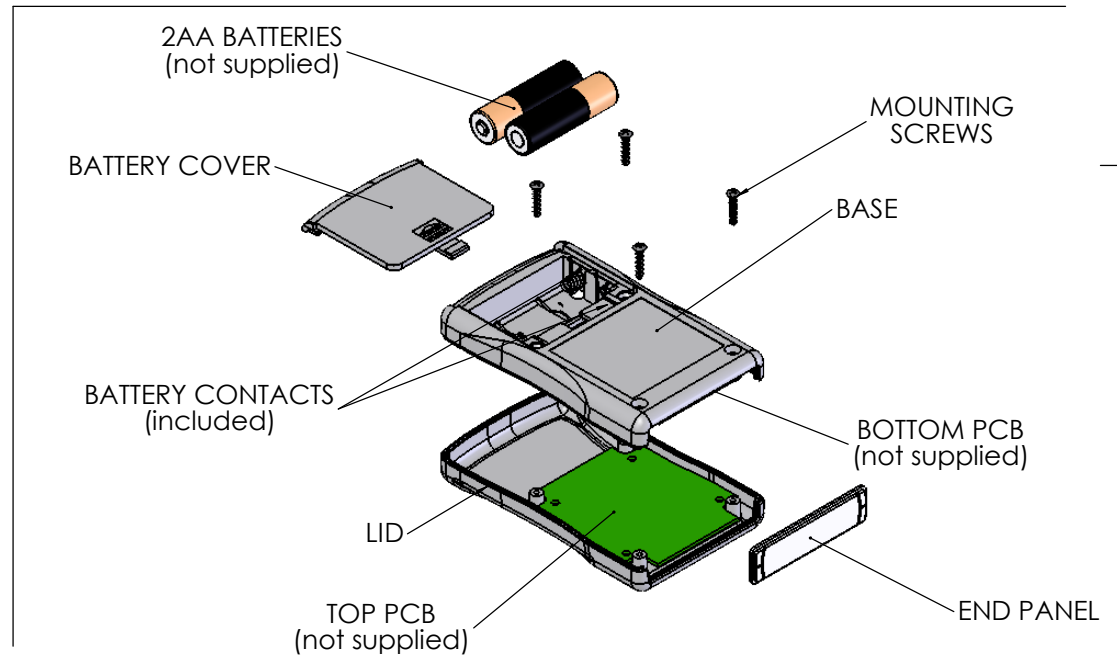
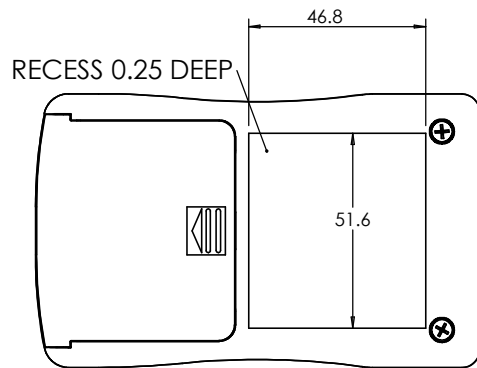
CHH451BBK



CHH451BBL



CHH451BRD



<p>JAMES CARTER RD, MILDENHALL, SUFFOLK, IP28 7DE TEL: 01638 716101 FAX: 01638 716554 E-MAIL: Sales@CamdenBoss.com WEB: www.CamdenBoss.com</p>				UNLESS OTHERWISE SPECIFIED: DIMENSIONS ARE IN MILLIMETERS		DO NOT SCALE DRAWING		REVISION. 0		
				FINISH: FINE TEXTURE		TITLE: GENERAL ASSEMBLY DRG FOR 45 SERIES PALM CASES				
DRAWN L SUBKHANKULOVA		SIGNED LS		DATE 05/01/11		MATERIAL: UL94-5VA ABS BLACK		DWG NO. CHH451ABK		A4
CHK'D L DROBKA		SIGNED LS		DATE 05/01/11		PROJECTION:		SCALE: 1 : 2		SHEET 1 OF 1