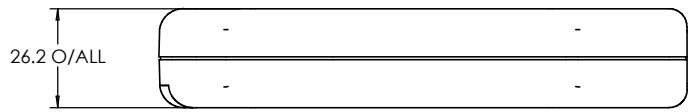


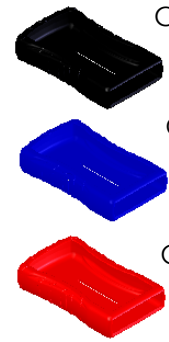
SECTION B-B

SECTION A-A



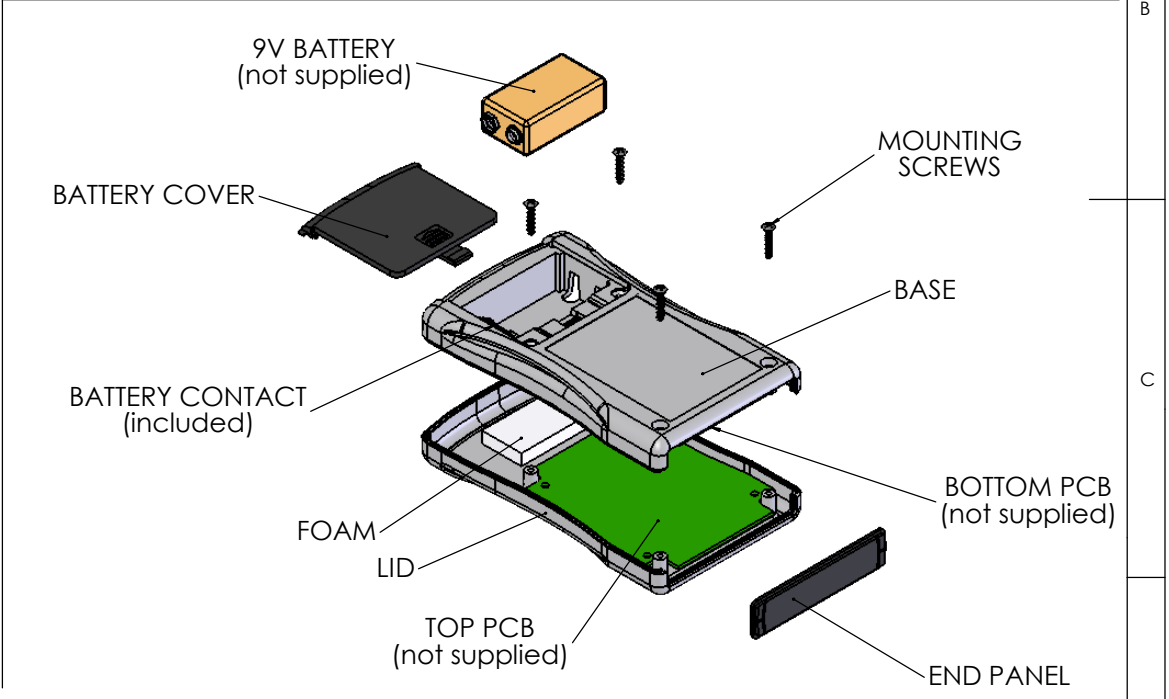
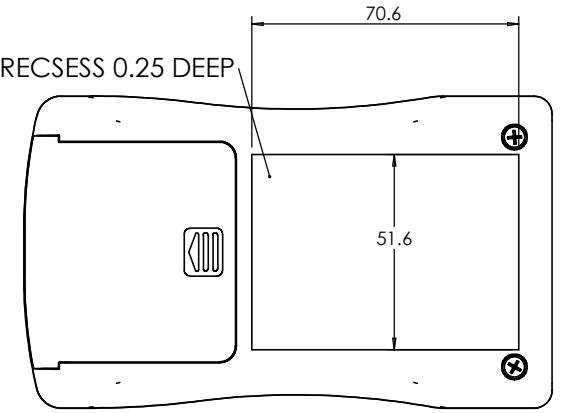
26.2 O/ALL

**RUBBER BOOT (OPTIONAL)**



CHH452BBK  
CHH452BBL  
CHH452BRD

RECESS 0.25 DEEP



		UNLESS OTHERWISE SPECIFIED: DIMENSIONS ARE IN MILLIMETERS		DO NOT SCALE DRAWING		REVISION: 0	
		FINISH: FINE TEXTURE		TITLE: GENERAL ASSEMBLY DRG FOR 45 SERIES PALM CASES			
JAMES CARTER RD, MILDENHALL, SUFFOLK, IP28 7DE TEL: 01638 716101 FAX: 01638 716554 EMail: Sales@CamdenBoss.com WEB: www.CamdenBoss.com		MATERIAL: UL94-5VA ABS BLACK		DWG NO. CHH452PBK		A4	
DRAWN	NAME: MATTHEW WALLACE	SIGNED: MJW	DATE: 07/01/11	PROJECTION:	SCALE: 1 : 2		SHEET 1 OF 1
CHK'D	L.SUBKHANKULOVA	LS	07/01/11				