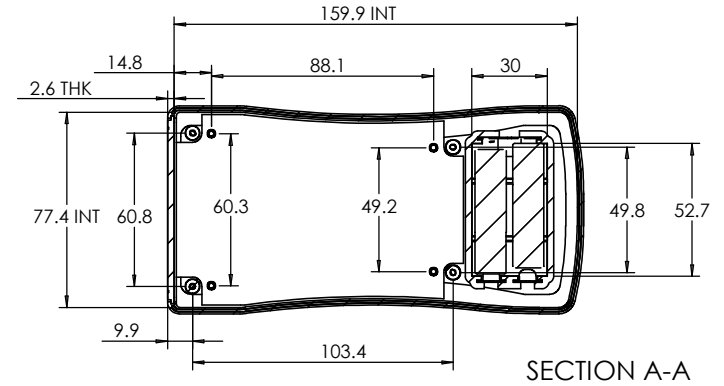
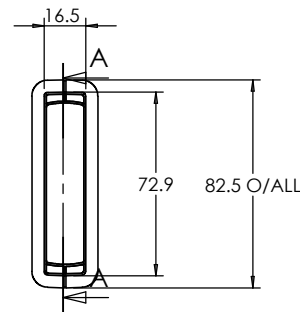
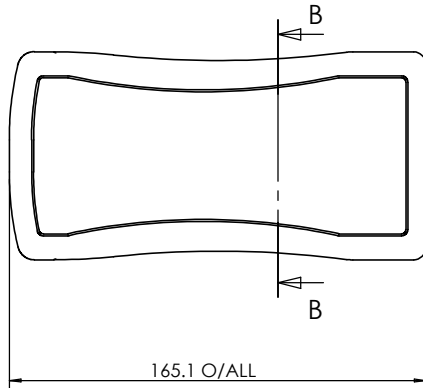
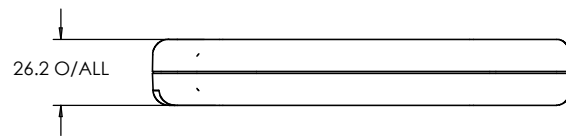


SECTION B-B



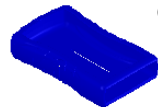
SECTION A-A



RUBBER BOOT (OPTIONAL)



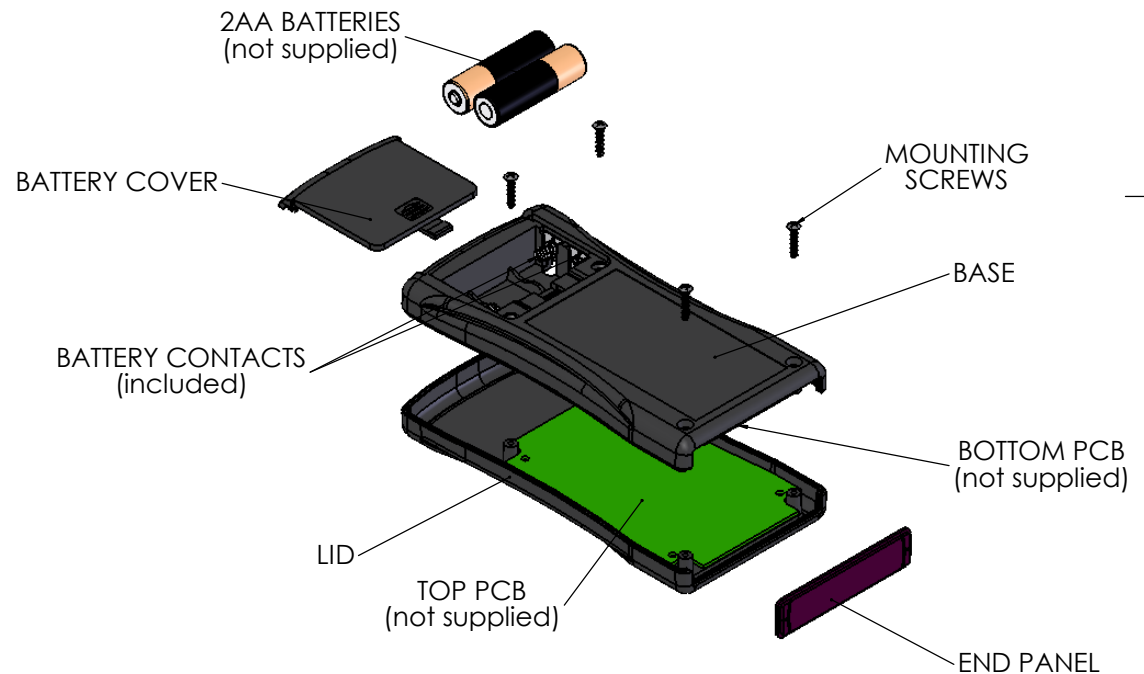
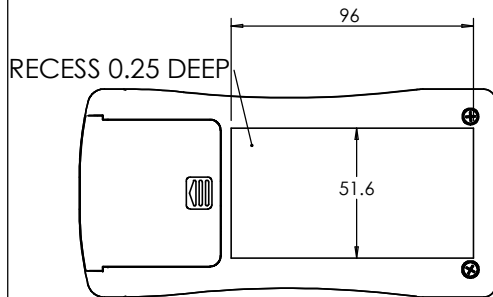
CHH453BBK



CHH453BBL



CHH453BRD



		UNLESS OTHERWISE SPECIFIED: DIMENSIONS ARE IN MILLIMETERS		DO NOT SCALE DRAWING	REVISION. 0
		FINISH: FINE TEXTURE		TITLE: GENERAL ASSEMBLY DRG FOR 45 SERIES PALM CASES	
JAMES CARTER RD, MILDENHALL, SUFFOLK, IP28 7DE TEL: 01638 716101 FAX: 01638 716554 EMail: Sales@CamdenBoss.com WEB: www.CamdenBoss.com		MATERIAL: UL94-5VA ABS BLACK		DWG NO. CHH453ABK	A4
DRAWN	NAME: MATTHEW WALLACE	SIGNED: MJW	DATE: 06/01/11	SCALE: 1 : 3	SHEET 1 OF 1
CHK'D	L.SUBHANKULOVA	LS	06/01/11		