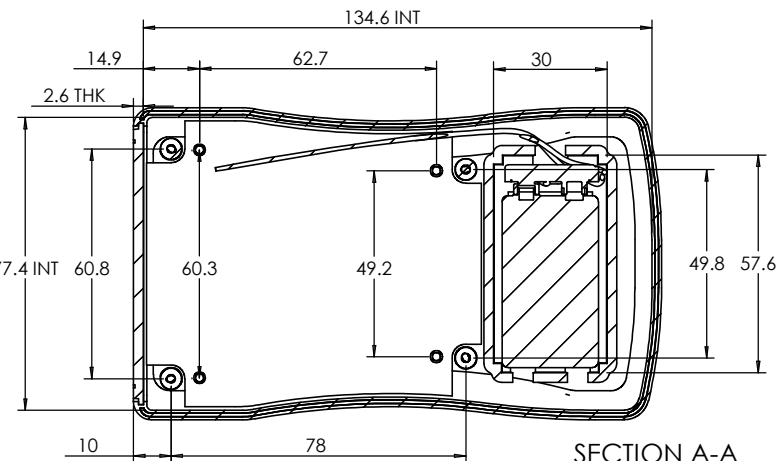
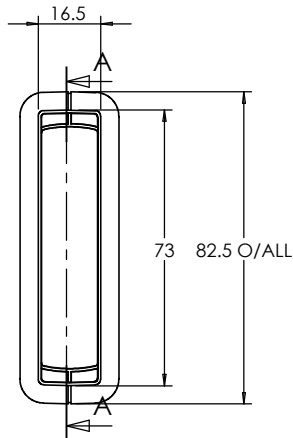
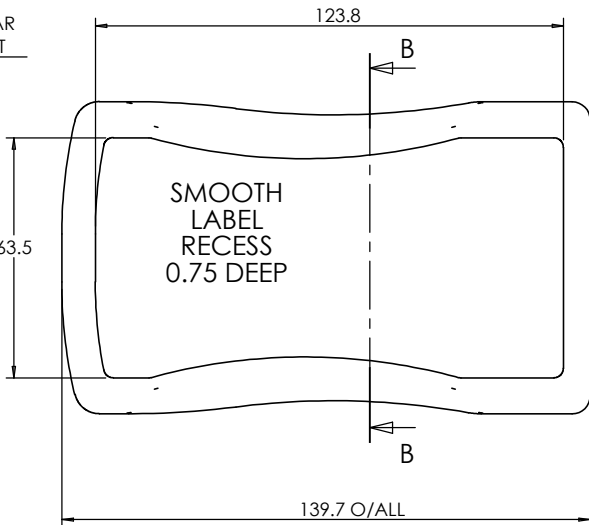
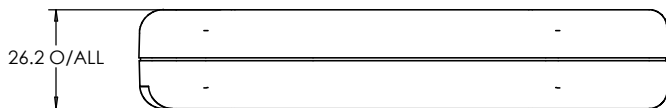


SECTION B-B



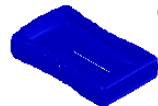
SECTION A-A



RUBBER BOOT (OPTIONAL)



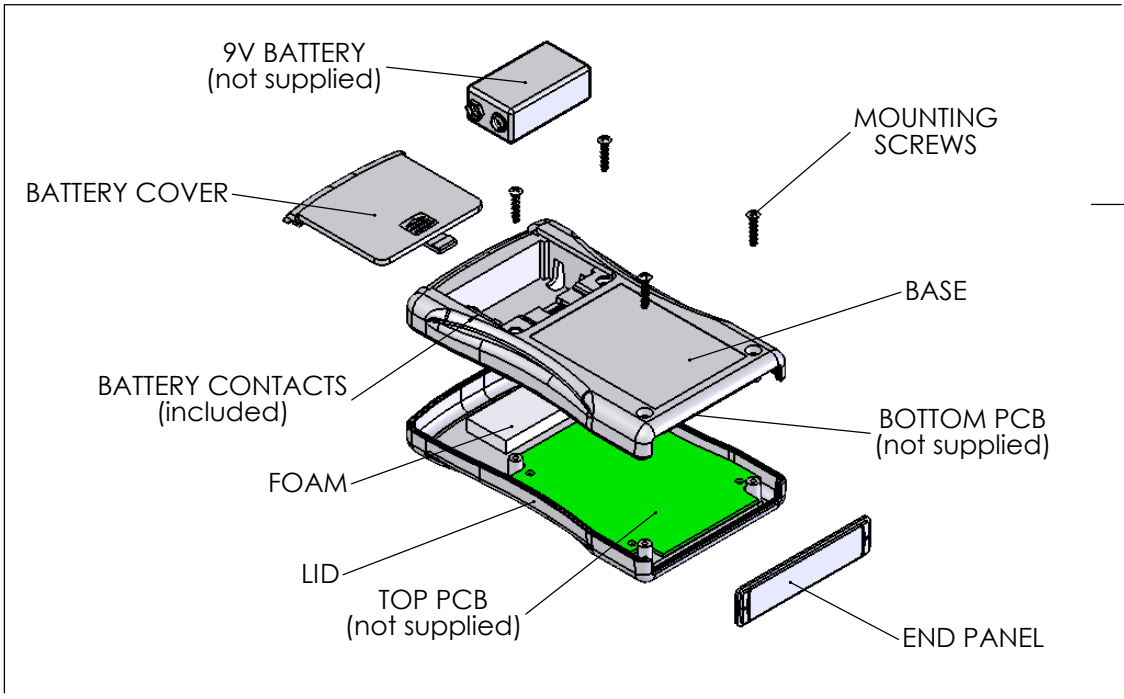
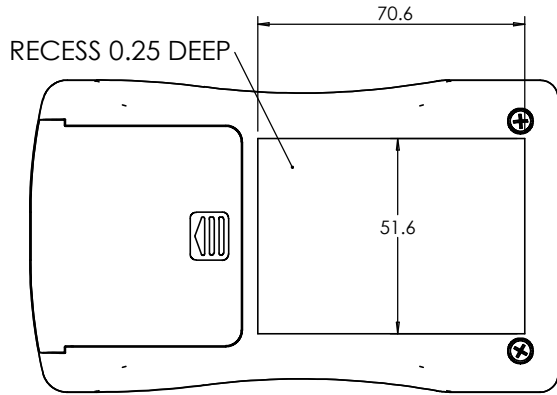
CHH452BBK



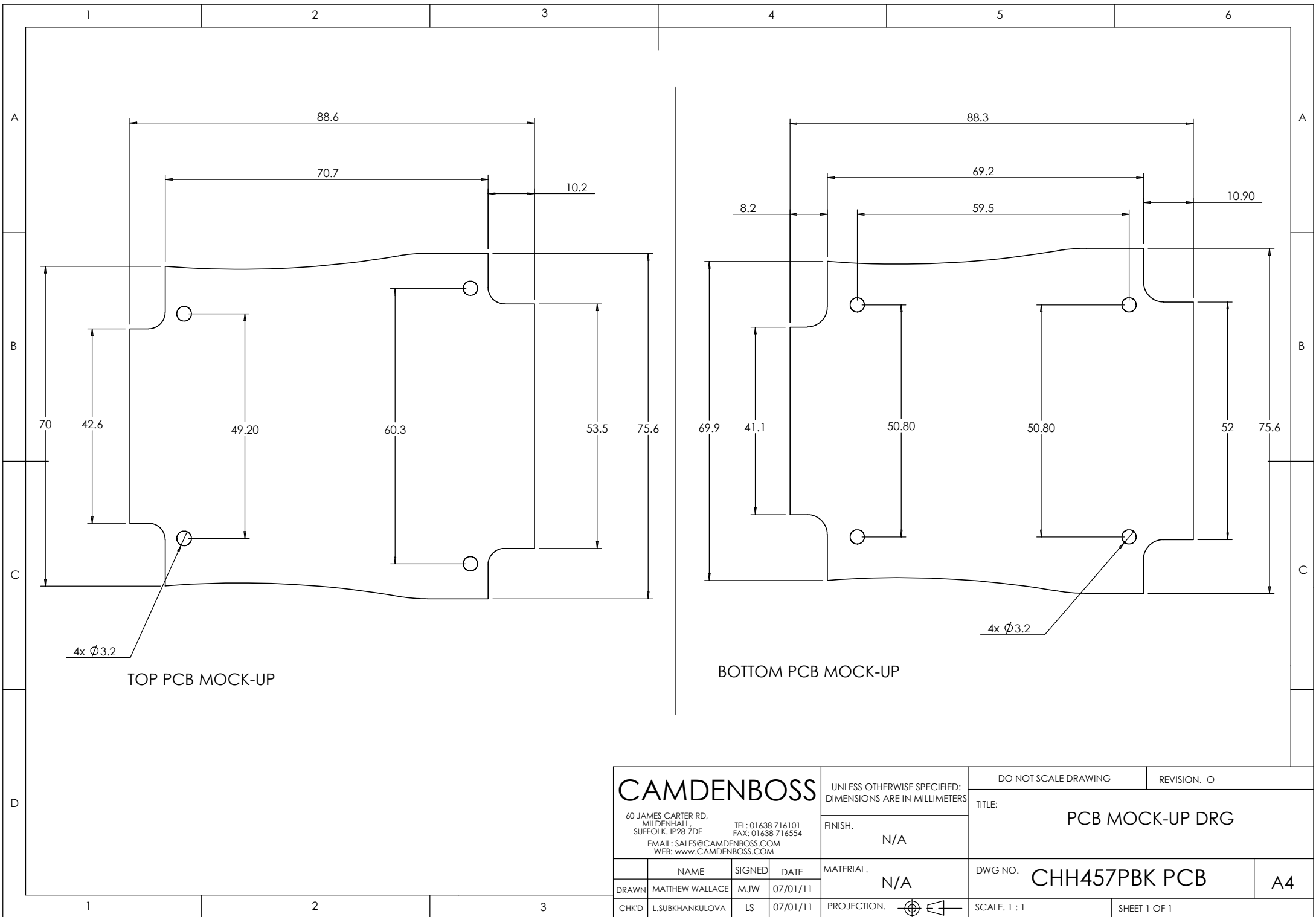
CHH452BBL



CHH452BRD

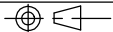


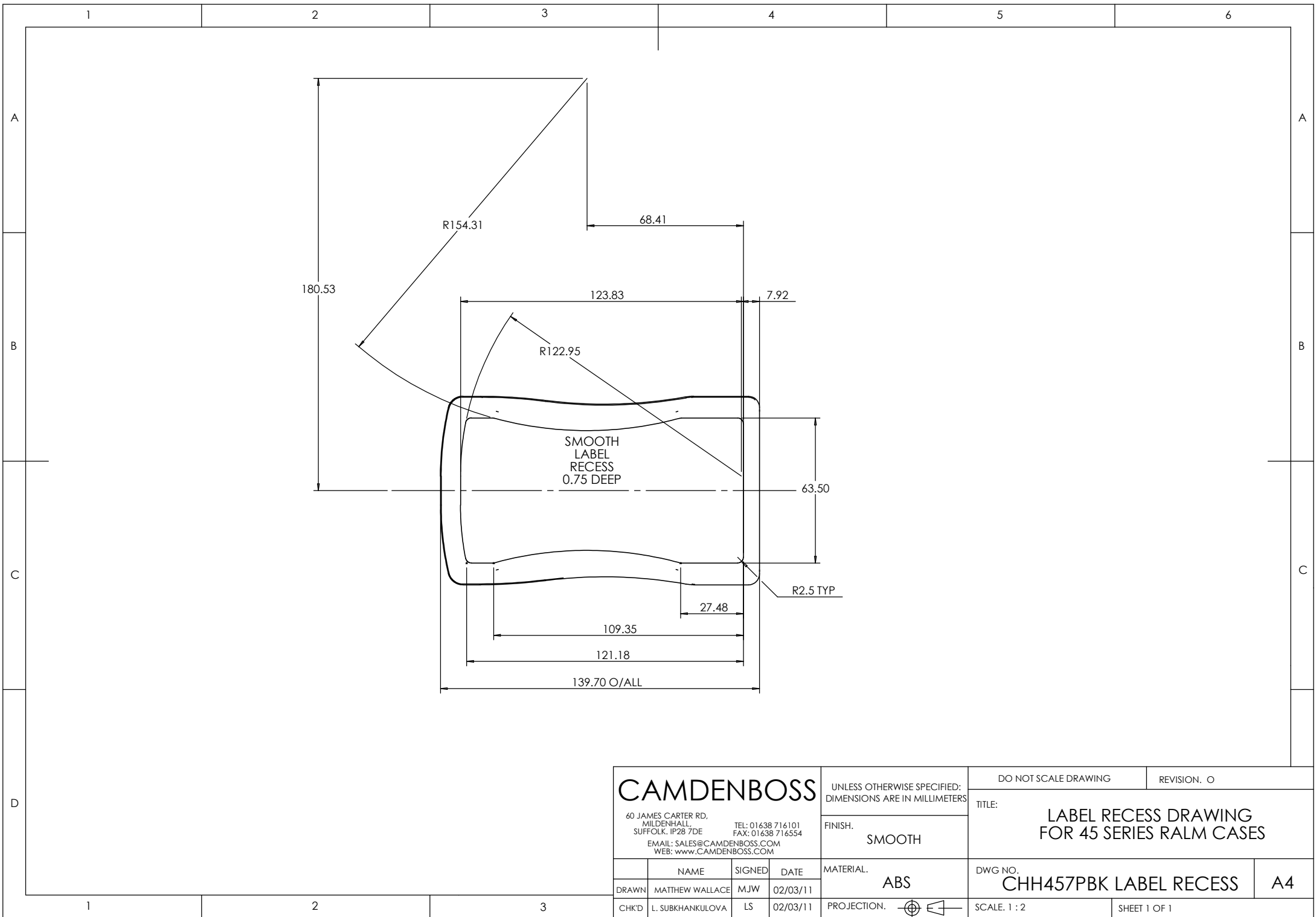
		UNLESS OTHERWISE SPECIFIED: DIMENSIONS ARE IN MILLIMETERS		DO NOT SCALE DRAWING	REVISION. 0
		FINISH: FINE TEXTURE SMOOTH LABEL RECESS		TITLE: GENERAL ASSEMBLY DRG FOR 45 SERIES PALM CASES	
JAMES CARTER RD, MILDENHALL, SUFFOLK, IP28 7DE TEL: 01638 716101 FAX: 01638 716554 EMail: Sales@CamdenBoss.com WEB: www.CamdenBoss.com		MATERIAL: UL94-5VA ABS BLACK		DWG NO. CHH457PBK	A4
DRAWN	NAME: MATTHEW WALLACE	SIGNED: MJW	DATE: 07/01/11	SCALE: 1 : 2	SHEET 1 OF 1
CHK'D	L.SUBHANKULOVA	LS	07/01/11		



TOP PCB MOCK-UP

BOTTOM PCB MOCK-UP

CAMDENBOSS 60 JAMES CARTER RD, MILDENHALL, SUFFOLK. IP28 7DE TEL: 01638 716101 FAX: 01638 716554 EMAIL: SALES@CAMDENBOSS.COM WEB: WWW.CAMDENBOSS.COM				UNLESS OTHERWISE SPECIFIED: DIMENSIONS ARE IN MILLIMETERS		DO NOT SCALE DRAWING		REVISION. O	
				FINISH. N/A		TITLE: PCB MOCK-UP DRG			
DRAWN MATTHEW WALLACE		SIGNED MJW	DATE 07/01/11	MATERIAL. N/A		DWG NO. CHH457PBK PCB		A4	
CHKD L.SUBKHANKULOVA		SIGNED LS	DATE 07/01/11	PROJECTION. 		SCALE: 1 : 1		SHEET 1 OF 1	



CAMDENBOSS

60 JAMES CARTER RD,
MILDENHALL,
SUFFOLK. IP28 7DE
EMAIL: SALES@CAMDENBOSS.COM
WEB: WWW.CAMDENBOSS.COM

TEL: 01638 716101
FAX: 01638 716554

UNLESS OTHERWISE SPECIFIED:
DIMENSIONS ARE IN MILLIMETERS

DO NOT SCALE DRAWING

REVISION. 0

FINISH.
SMOOTH

TITLE:
**LABEL RECESS DRAWING
FOR 45 SERIES RALM CASES**

	NAME	SIGNED	DATE
DRAWN	MATTHEW WALLACE	MJW	02/03/11
CHKD	L. SUBKHANKULOVA	LS	02/03/11

MATERIAL.
ABS

PROJECTION.

DWG NO.
CHH457PBK LABEL RECESS

SCALE. 1 : 2

SHEET 1 OF 1

A4