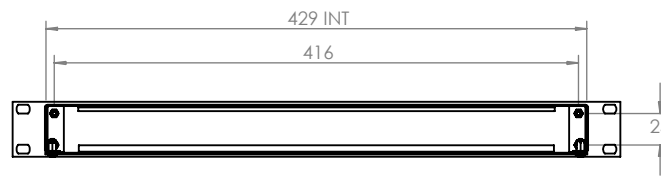
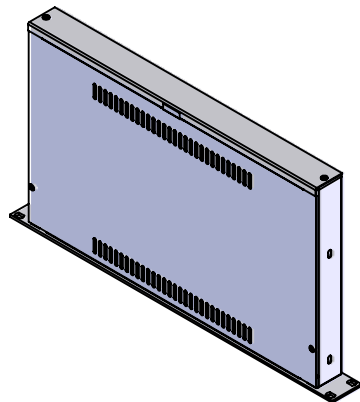


SECTION A-A



SECTION B-B

ISO VIEW  
SCALE 1:8



<p><b>CAMDENBOSS</b> ELECTRONICS &amp; ENCLOSURES</p> <p>JAMES CARTER RD, MILDENHALL, SUFFOLK, IP28 7DE TEL: 01638 716101 FAX: 01638 716554 EMAIL: Sales@CamdenBoss.com WEB: www.CamdenBoss.com</p>				UNLESS OTHERWISE SPECIFIED: DIMENSIONS ARE IN MILLIMETERS		DO NOT SCALE DRAWING		REVISION. 0		
				FINISH. VAR		TITLE: GNL ASSEMBLY DRG FOR 180 SERIES - 1U 263 DEEP				
DRAWN IAN PAGANO		SIGNED I.P.		DATE 12/08/13		MATERIAL. VAR		DWG NO. C19G1263B		A4
CHK'D						PROJECTION. 		SCALE. 1 : 6		SHEET 1 OF 1