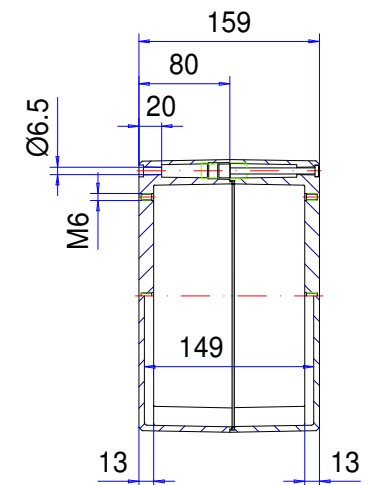
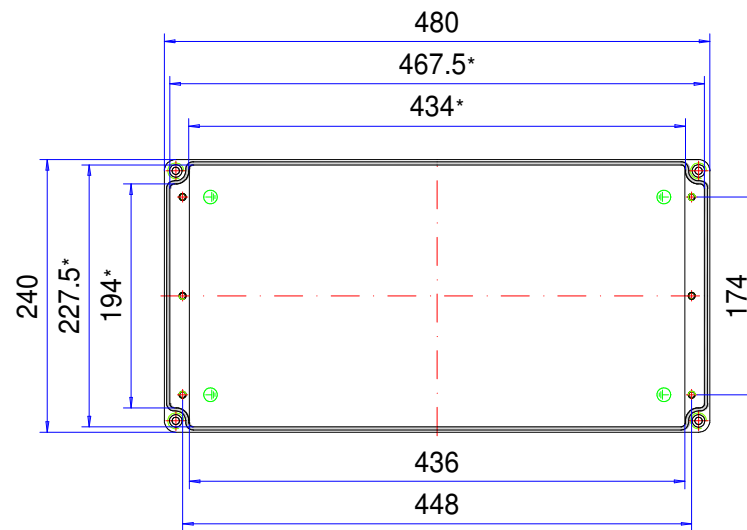
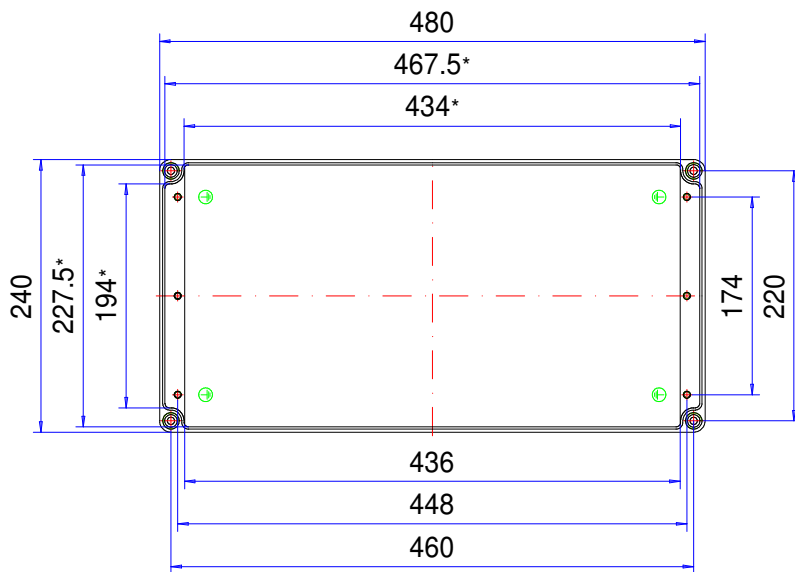



Enclosure series aluNORM

Type: AH 244

Material-No.: 103.244.000



* Please note: Mould slope for casting ejection, dimensions in the amount of the bottom!

Enclosure material	GK-Al Si 12 (DIN 1725)		Weight	7.260 g
Lid screws	4x stainless steel 1.4567 (V2A), captive		Earthing screws	4x M6x9, copper-plated
Gasket	1x Chloroprene (CR), light grey		Coating	Powder coating RAL 7032, pebble grey
Ingress protection	IP66 EN 60529		Tolerance	GTA 14/5 DIN 1688-3 (outside dimensions $\pm 0,8\text{mm}$)