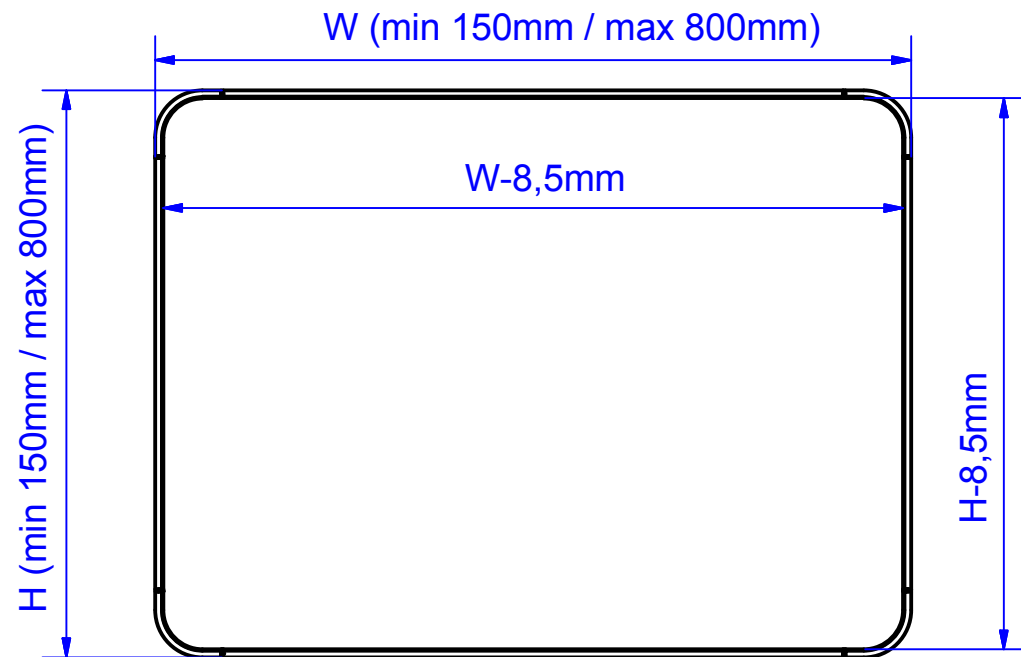


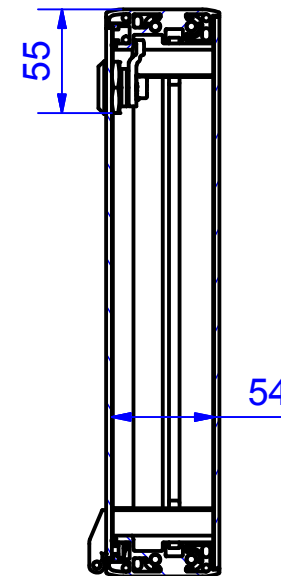
profiPANEL

type PPD 60 basic

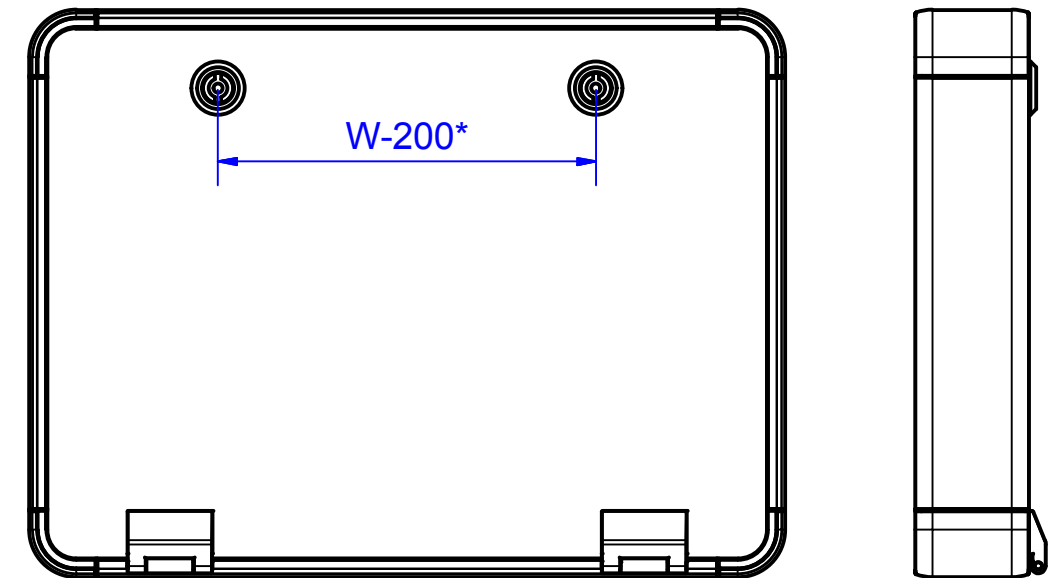
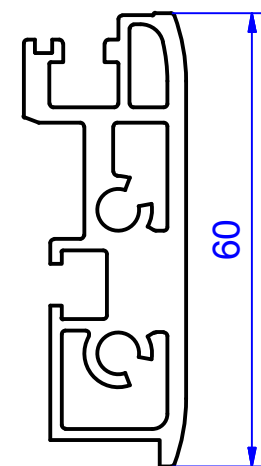
article-no.: 330.060.AAA



front panel



profile 60

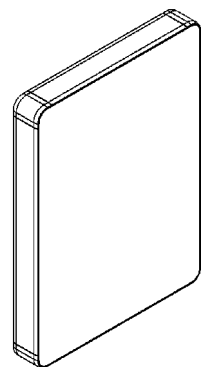


rear panel

optional rear panel

useable front-plate area= nominal size -50 mm
area reduction generated by lock and hinge combination

*1 lock for dimension H or W < 400 mm
2 locks for dimension H or W ≥ 400 mm
Locks and hinges always on the longer side.



enclosure material	aluminium profile (AlMgSi0,5) anodized , corner (AlSi 12)		front panel	aluminium 3mm, anodized
rear panel	hinges and locks; optionally screwed		corner covers	PA RAL 7035
protection class	IP65 EN 60529		tolerances	outside dimension+/-1mm; others DIN 2768-m
weight	depends on configuration			