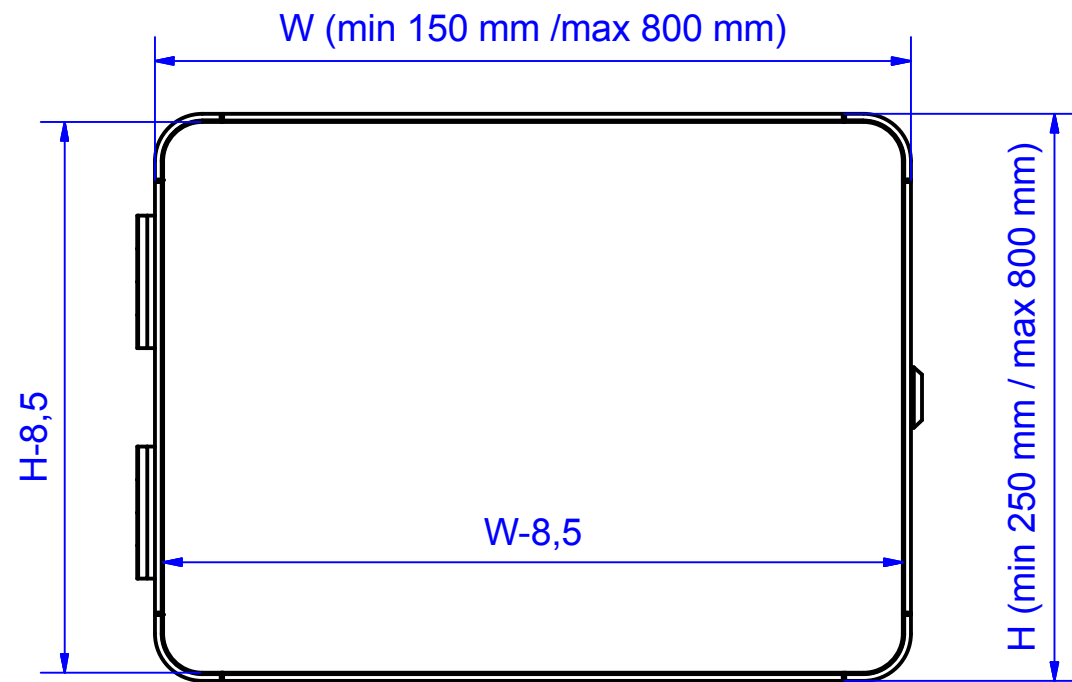


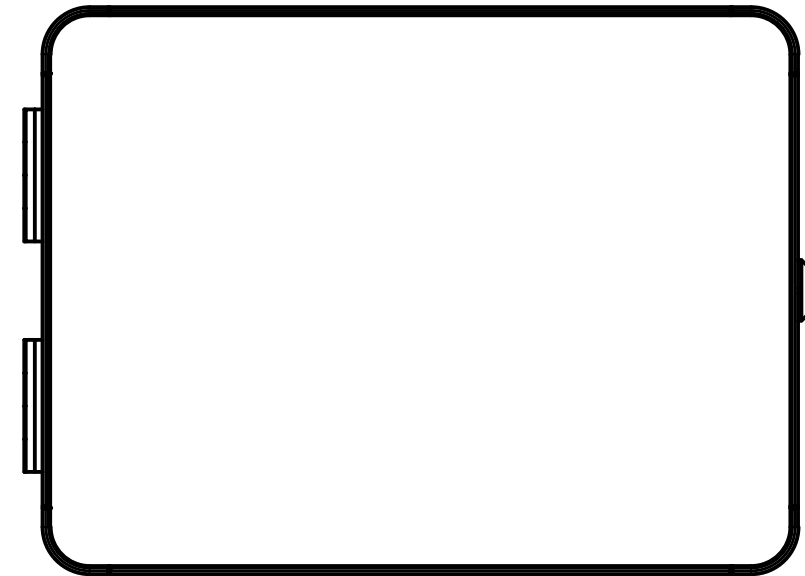
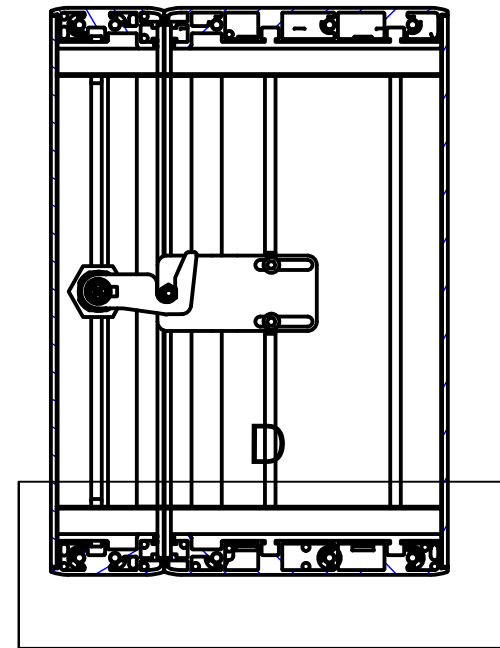
profiPANEL

type PPD 210 (150/60)

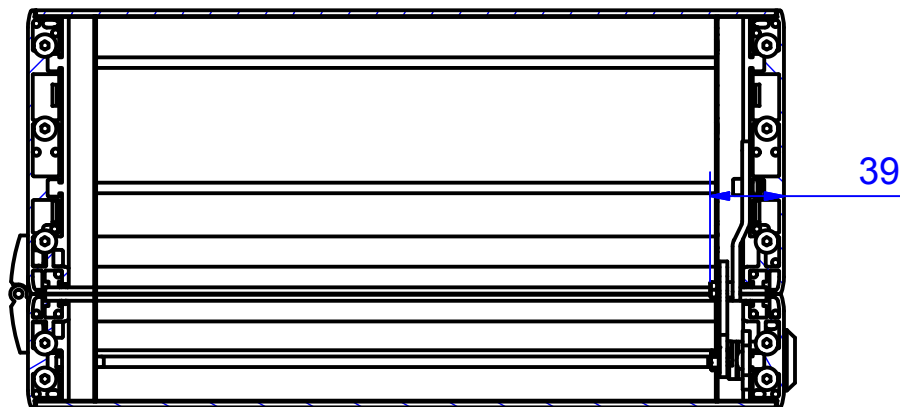
article-no.: 332.210.AAA



Front



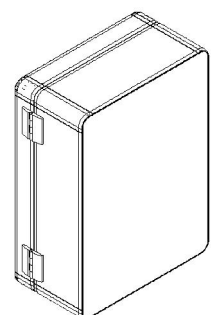
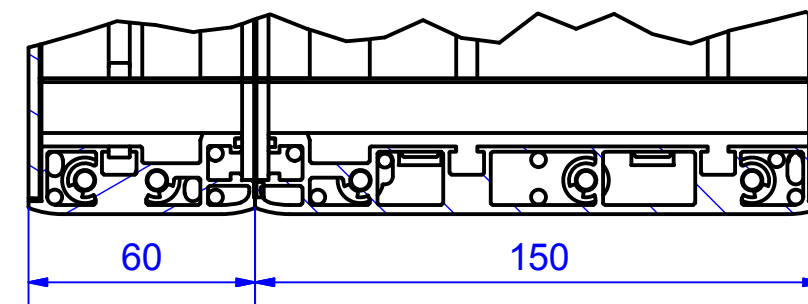
Tür



useable front-plate area= nominal size -50 mm
area reduction generated by lock and hinge combination

*1 lock on side for dimension H < 600 mm
2 locks on side for dimension H ≥ 600mm
(distance between locks= H-300mm)

Profile 150/60
D (1 : 2)



enclosure material	aluminium profile (AlMgSi0,5) anodized , corner (AlSi 12)	front panel	aluminium 3mm, anodized
door	hinges and locks	corner covers	PA RAL 7035
protection class	IP65 EN 60529	tolerances	outside dimension+/-1mm; others DIN 2768-m
weight	depends on configuration		