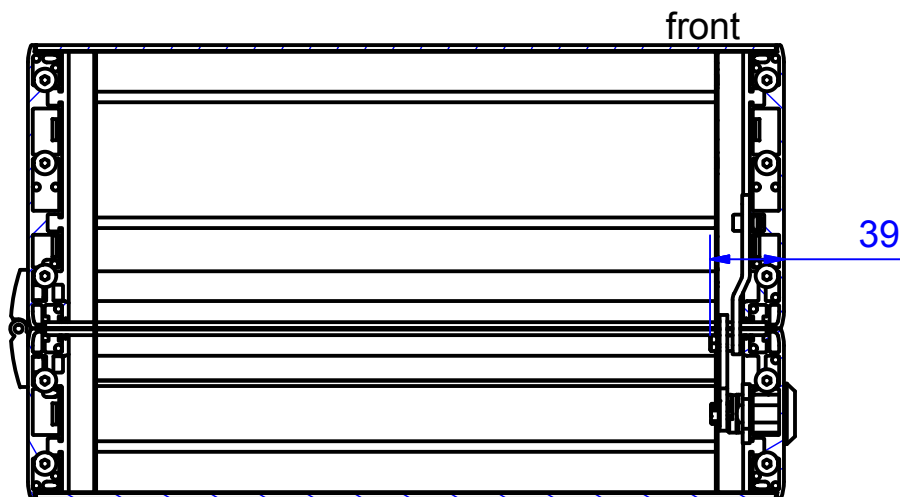
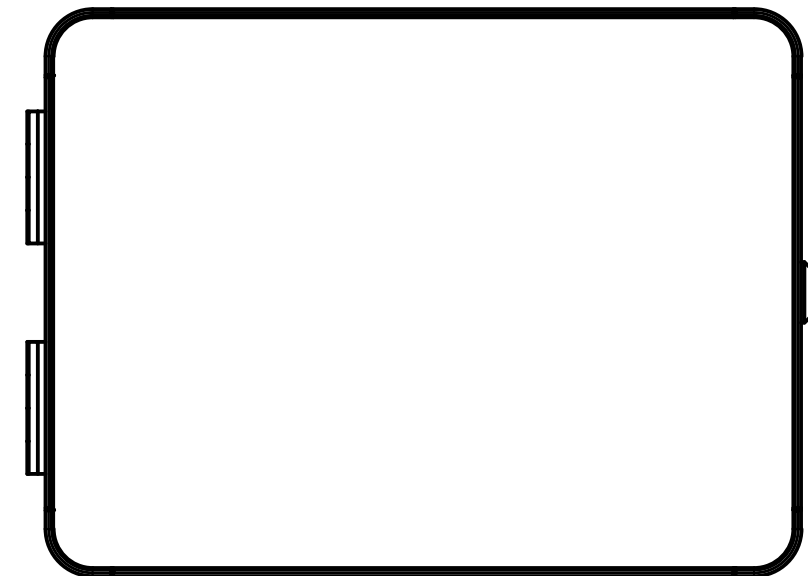
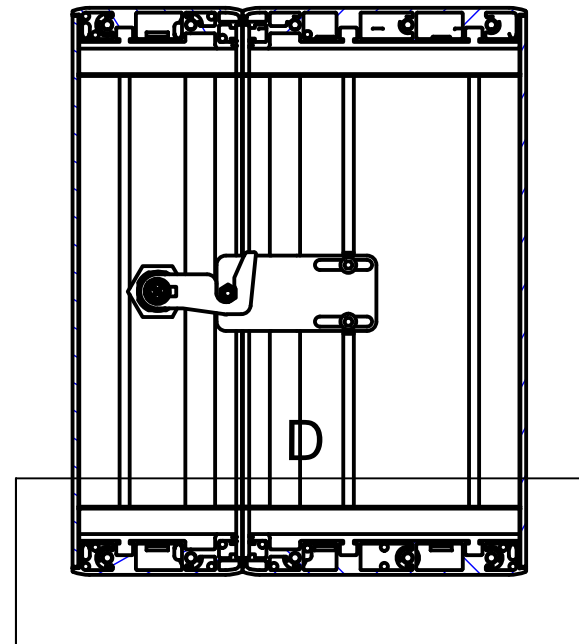
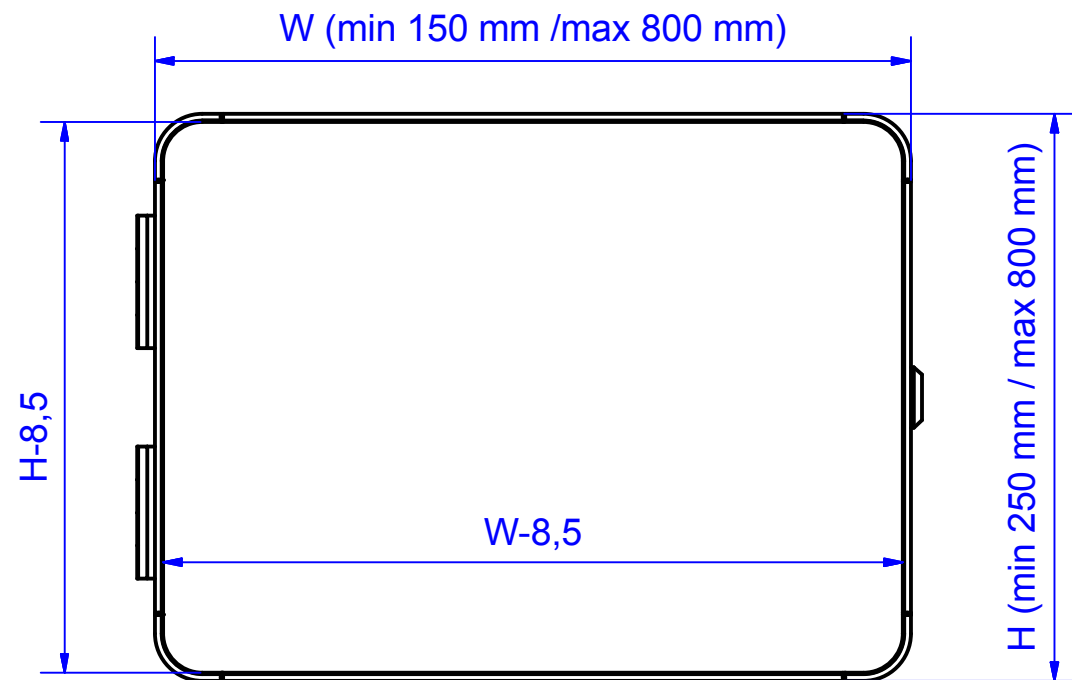


profiPANEL

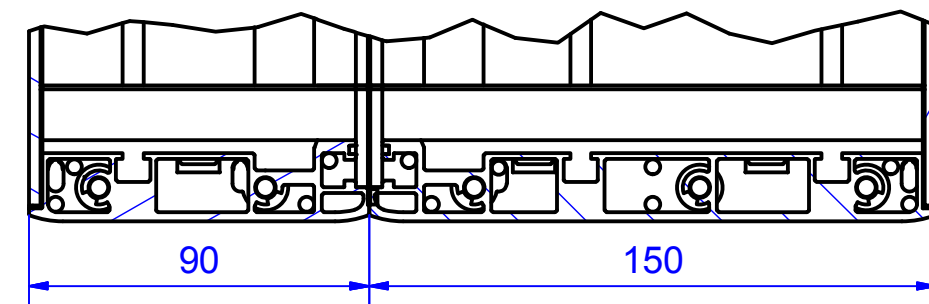
type PPD 240 (150/90)

article-no.: 332.240.AAA



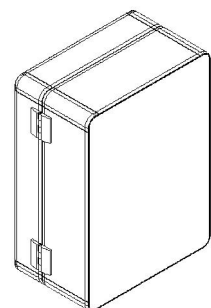
profiles 150/90

D (1 : 2)



useable front-plate area= nominal size -50 mm
area reduction generated by lock and hinge combination

*1 lock on side for dimension H < 600 mm
2 locks on side for dimension H ≥ 600mm
(distance between locks= H-300mm)



enclosure material	aluminium profile (AlMgSi0,5) anodized , corner (AlSi 12)	front panel	aluminium 3mm, anodized
door	hinges and locked; optionally screwed	corner covers	PA RAL 7035
protection class	IP65 EN 60529	tolerances	outside dimension+/-1mm; others DIN 2768-m
weight	depends on configuration		