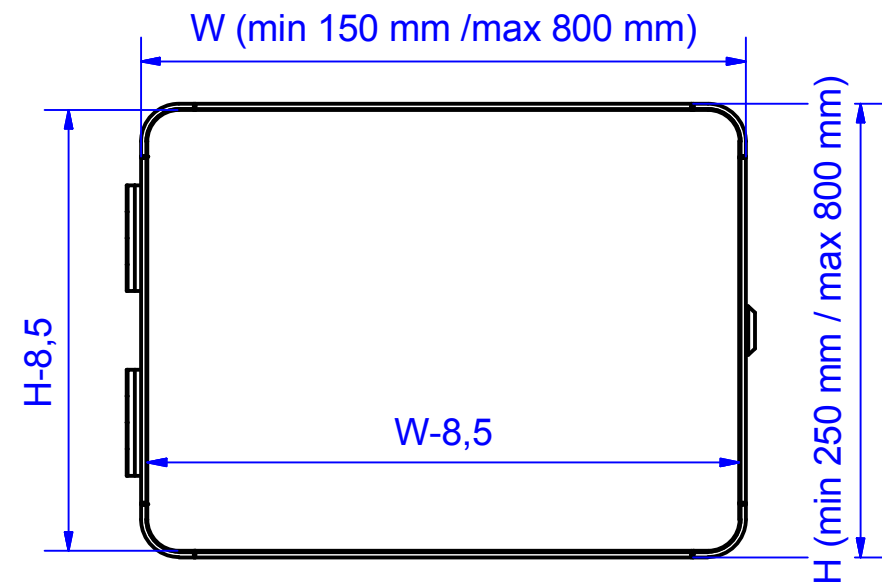


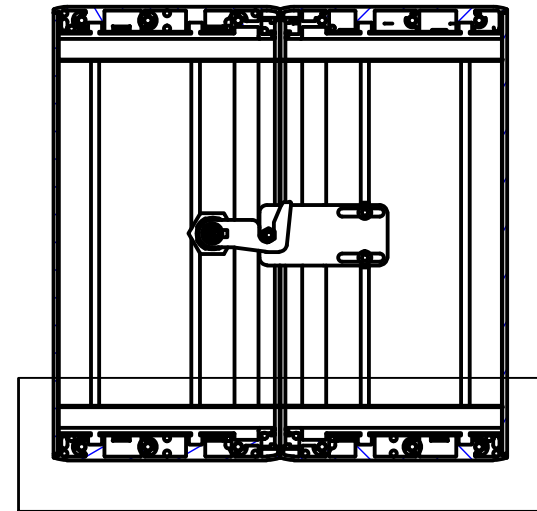
profiPANEL

type PPD 300 (150/150)

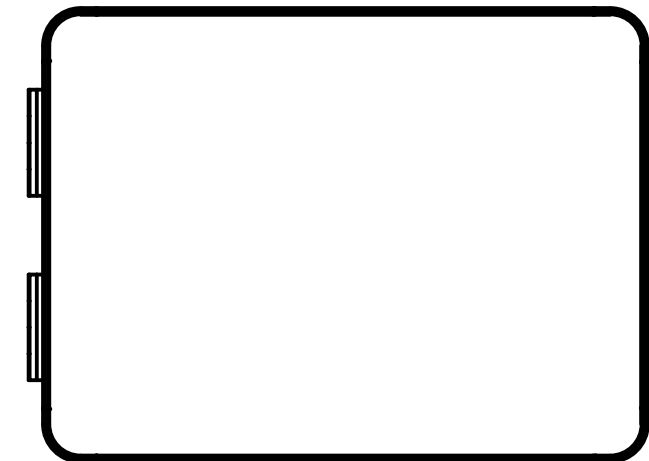
article-no.: 332.300.AAA



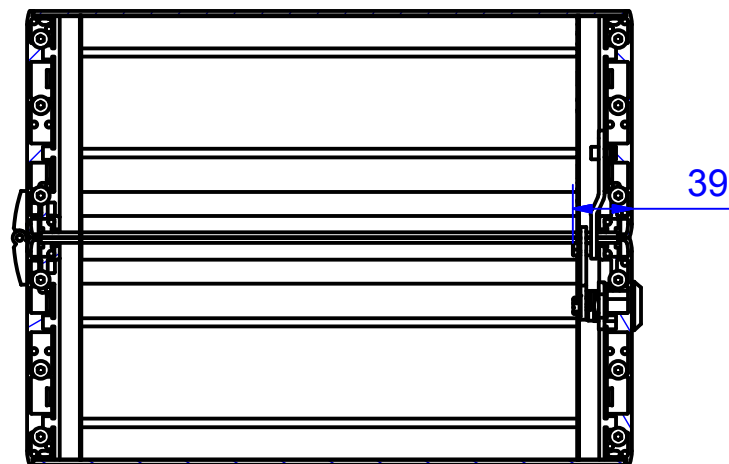
front



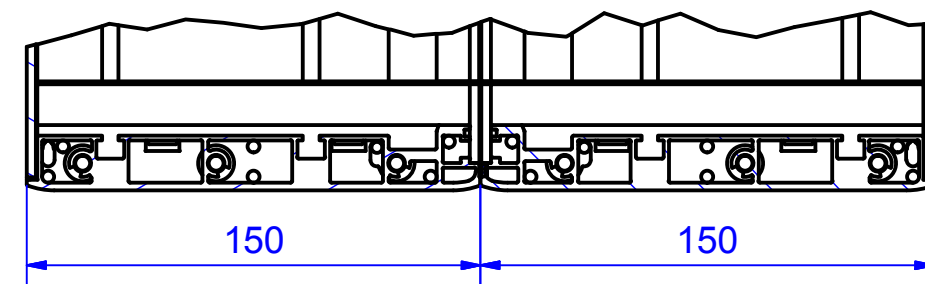
D



door

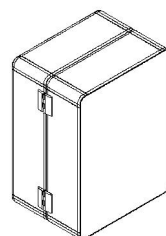


profiles 150/150  
D ( 0,40 : 1 )



useable front-plate area= nominal size -50 mm  
area reduction generated by lock and hinge combination

\*1 lock on side for dimension H < 600 mm  
2 locks on side for dimension H ≥ 600mm  
(distance between locks= H-300mm)



enclosure material	aluminium profile (AlMgSi0,5) anodized , corner (AlSi 12)	front panel	aluminium 3mm, anodized
door	hinges and locks	corner covers	PA RAL 7035
protection class	IP65 EN 60529	tolerances	outside dimension+/-1mm; others DIN 2768-m
weight	depends on configuration		