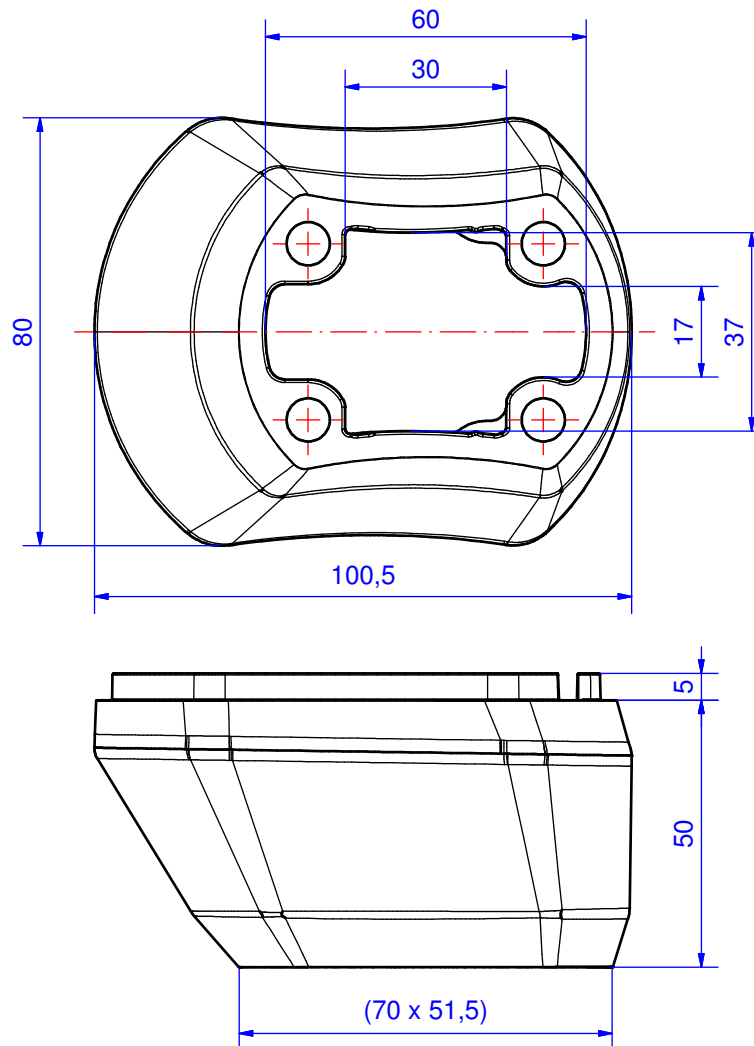


# Suspension-System profiPLUS 70

Type: Adaption 70-50

Material-No.: 143.000.001



Suspension system material	GD-Al Si 12 (DIN 1706)		Bending range	0°
Gasket	1x Chloroprene (CR), black		Weight	370 g
Mounting screws	8x M8, galvanized steel		Surface	Powder coating RAL 7035, light grey
Ingress protection	IP54 EN 60529		Tolerance	GTA 13/5 DIN 1688-4 (outside dimensions ±0,8mm)