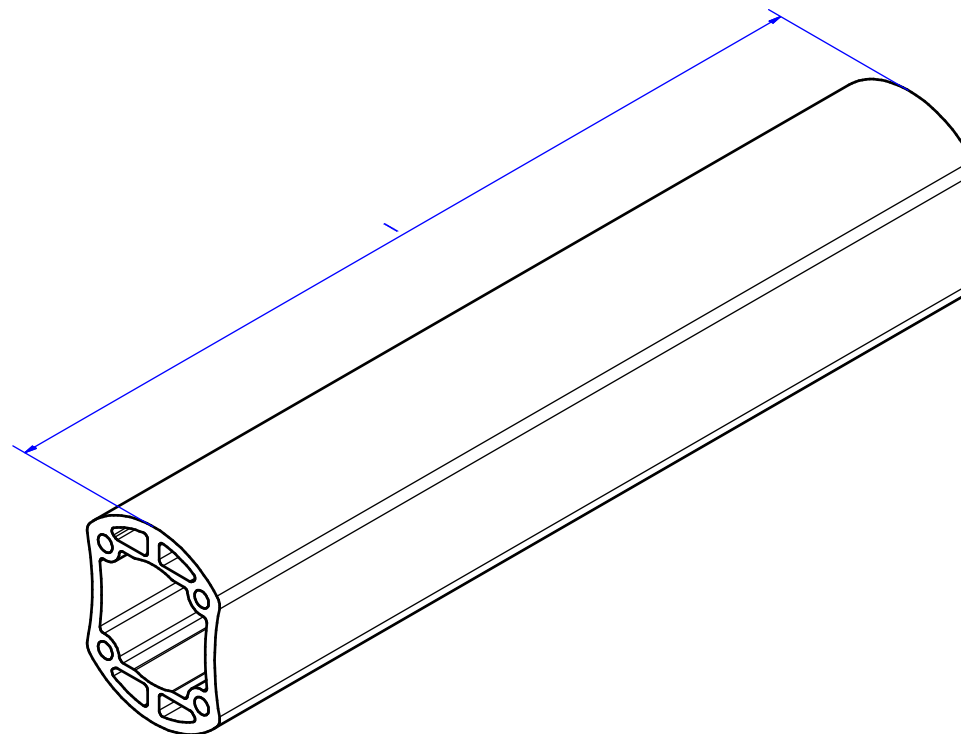
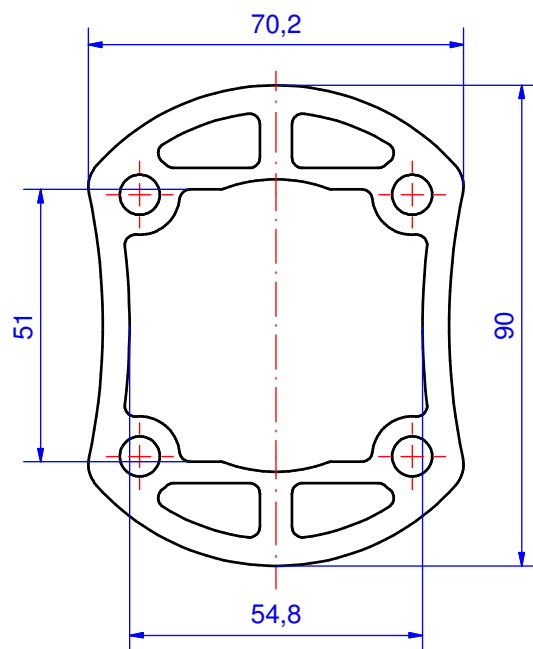
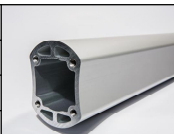


# Suspension-System profiPLUS 70

Type: Support profile

Material-No.: 143.00\*.\*\*\*  
 143.000.250 (l= 250mm)  
 143.000.500 (l= 500mm)  
**143.000.750 (l= 750mm)**  
 143.001.000 (l=1000mm)  
 143.001.500 (l=1500mm)



Suspension system material	Extruded aluminium		Bending range	0°
Gasket	---		Weight	5.520 g/m
Mounting screws	---		Surface	Silver anodized
Ingress protection	IP54 EN 60529		Tolerance	DIN EN 755-9