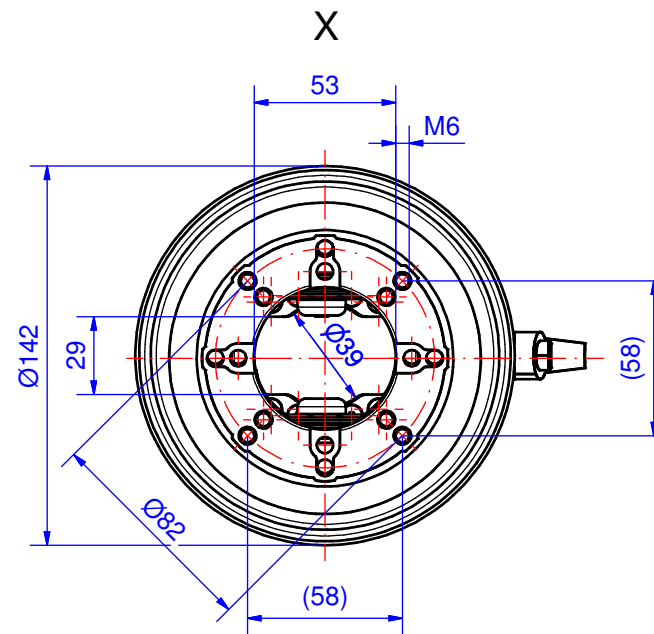
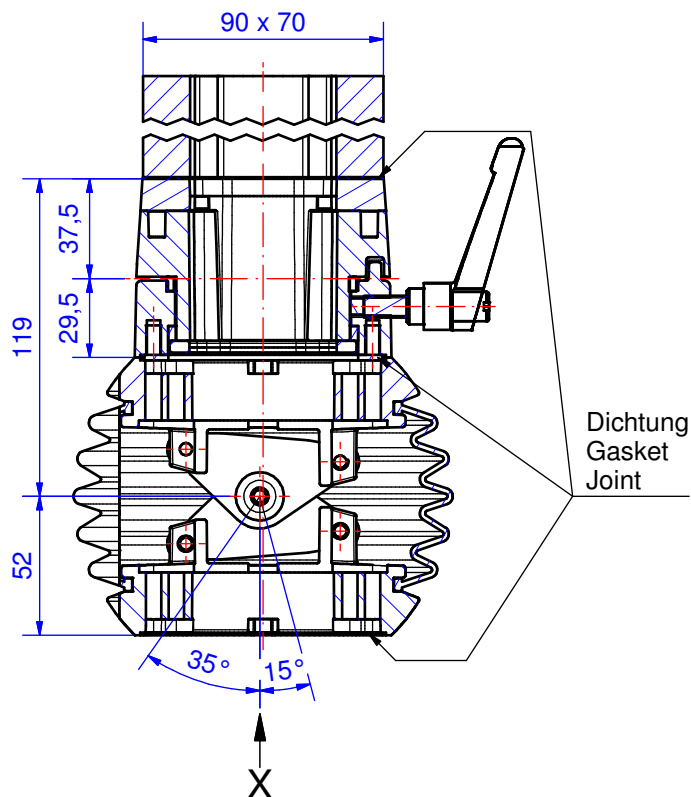



# Suspension-System profiPLUS 70

Type: Coupling N, hanging

Material-No.: 143.27\*.\*\*\*  
 143.270.250 (l= 250mm)  
 143.270.500 (l= 500mm)  
 143.270.750 (l= 750mm)  
**143.271.000 (l=1000mm)**



Suspension system material	GD-Al Si 12 (DIN 1706)		Bending range	310°
Profile material	Extruded aluminium		Weight	2.210 g + profile 5.520 g/ m
Gasket	3x Chloroprene (CR), black		Surface	Powder coating RAL 7035, light grey
Mounting screws	4x M6, galvanized steel		Surface profile	Silver anodized
Ingress protection	IP54 EN 60529		Tolerance	GTA 13/5 DIN 1688-4 (outside dimensions ±0,8mm)