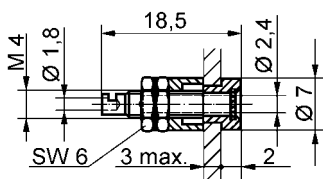


**Socket**  
- with insulation

**order no. IBU 24 / ..(colour)**  
- contact part **silver-plated**  
- insulation PA 6 (Polyamid)  
- soldering cup up to 0.75 mm<sup>2</sup>  
- hole ø 5 mm

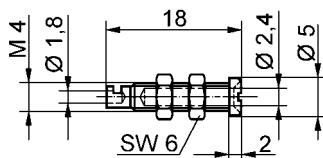
colours: see table



**Socket**  
- with moulded insulation

**order no. IBU 2413 / ..(colour)**  
- contact part **nickel-plated**  
- insulation PA 6 (Polyamid)  
- soldering cup up to 0.75 mm<sup>2</sup>  
- hole ø 5 mm

colours: see table



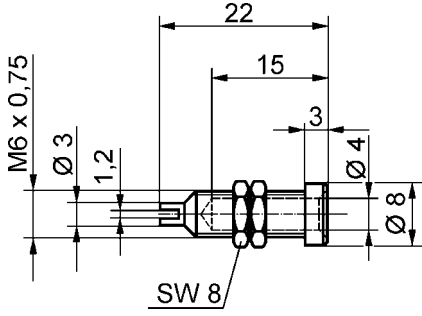
**Socket**  
- without insulation

**order no. BU 24**  
- contact part **silver-plated**  
- soldering cup up to 0.75 mm<sup>2</sup>  
- hole ø 4 mm

General information		Technical data				
order no.	colours	terminal	transition resistance	rated voltage	rated current	operating temperature
<b>IBU 24 / ..(colour)</b> contact parts silver-plated	black red blue	soldering 0.75 mm <sup>2</sup>	3 mΩ	30 VAC 60 VDC	12 A	- 25 °C ... + 90 °C
<b>IBU 2413 / ..(colour)</b> contact parts nickel-plated	yellow green	soldering 0.75 mm <sup>2</sup>	3 mΩ	30 VAC 60 VDC	12 A	- 25 °C ... + 90 °C
<b>BU 24</b> contact parts silver-plated	—	soldering 0.75 mm <sup>2</sup>	3 mΩ	30 VAC 60 VDC	12 A	- 40 °C ... + 110 °C

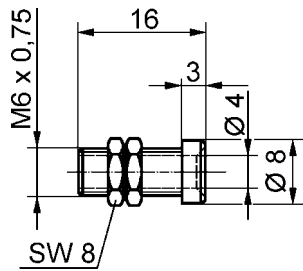
other colours and platings on request

Ø 4



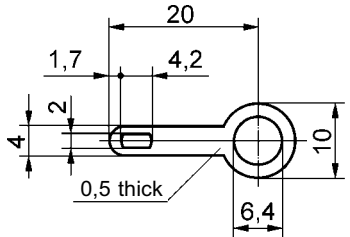
**Socket**  
 - not insulated  
 - hole ø 6.1 mm

**order no. BU 404**  
 - contact part material: brass  
 - contact part: nickel-plated



**Socket**  
 - not insulated  
 - hole ø 6.1 mm

**order no. BU 405**  
 - contact part material: brass  
 - contact part: nickel-plated

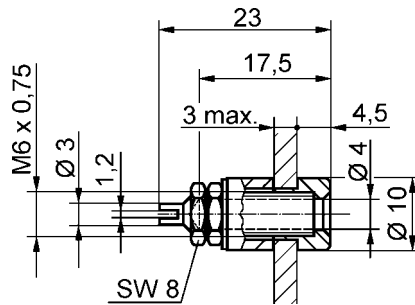


**Soldering loop**  
 - fits sockets IBU 401 / .. (colour),  
 IBU 403 / .. (colour), BU 404, BU 405

**order no. LÖ 6,4 x 20**  
 - contact part material: brass  
 - plating: tin-plating

General information			Technical data				
order no.	max. torque for nuts	colours	terminal	transition resistance	rated voltage	rated current	operating temperature
<b>BU 404</b> contact part nickel-plated	300 Ncm	—	soldering or soldering loop	< 10 mΩ	30 V <sub>AC</sub> 60 V <sub>DC</sub>	32 A	- 40 °C ... + 110 °C
<b>BU 405</b> contact part nickel-plated	300 Ncm	—	soldering or soldering loop	<10 mΩ	30 V <sub>AC</sub> 60 V <sub>DC</sub>	32 A	- 40 °C ... + 110 °C
<b>LÖ 6,4 x 20</b> tin-plated			soldering				

other types and platings on request

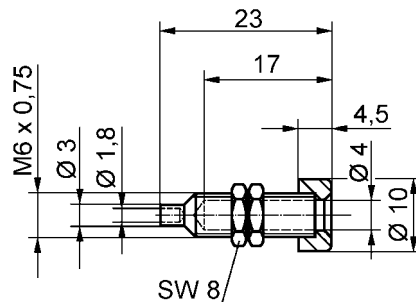


**Socket**

- fully insulated fitting
- insulated head screwed on
- hole ø 7.5 mm

**order no.** IBU 401 / .. (colour)  
 - contact part material brass  
 - contact part **nickel-plated**  
 - insulation PA 6 (Polyamid)

colours: see table

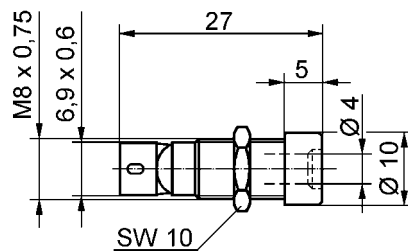


**Socket**

- insulated head screwed on
- hole ø 6.1 mm

**order no.** IBU 403 / .. (colour)  
 - contact part material brass  
 - contact part **nickel-plated**  
 - insulation PA 6 (Polyamid)

colours: see table



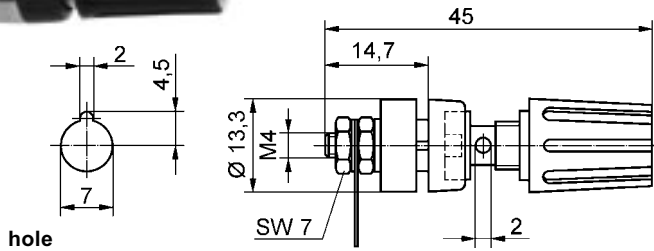
**Socket**

- insulated
- hole ø 8 mm

**order no.** IBU 9213 / .. (colour)  
 - contact part material rolled brass sheet  
 - contact part **tin-plated**  
 - insulation ABS

General information			Technical data				
order no.	max. torque for nuts	colours	terminal	transition resistance	rated voltage	rated current	operating temperature
<b>IBU 401 / ..</b> (colour) contact part nickel-plated	300 Ncm	black, red, blue, yellow, green,white	soldering, solder loop	< 10 mΩ	30 V <sub>AC</sub> 60 V <sub>DC</sub>	32 A	- 25 °C ... + 80 °C
<b>IBU 403 / ..</b> (colour) contact part nickel-plated	300 Ncm	black, red, blue, yellow, green,white	soldering, solder loop	< 10 mΩ	30 V <sub>AC</sub> 60 V <sub>DC</sub>	32 A	- 25 °C ... + 80 °C
<b>IBU 9213 / ..</b> (colour) contact part tin-plated	100 Ncm	black red	soldering, cable lug	< 10 mΩ	30 V <sub>AC</sub> 60 V <sub>DC</sub>	16 A	- 30 °C ... + 90 °C

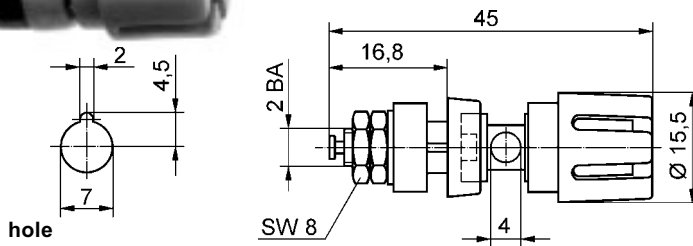
other types and platings on request



**Terminal post**  
- with undetachable head

**order no. POL 1989 / .. (colour)**  
- contact parts **nickel-plated**  
- insulation PA 6.6 (Polyamid)

**colours:** see table



**Terminal post**  
- with undetachable head

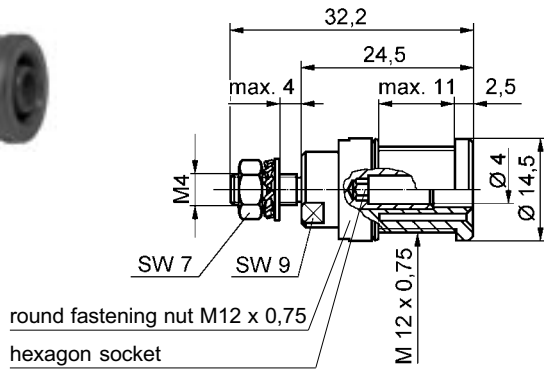
**order no. POL 1994 / .. (colour)**  
- contact parts **nickel-plated**  
- insulation PA 6.6 (Polyamid)

**colours:** see table

Ø 4

General information			Technical data				
order no.	max. torque for nuts	colours	terminal	transition resistance	rated voltage	rated current	operating temperature
<b>POL 1989 / .. (colour)</b> contact parts nickel-plated	100 Ncm	black red	soldering, soldering loop	< 2 mΩ	30 V <sub>AC</sub> 60 V <sub>DC</sub>	16 A	- 25 °C ... + 80 °C
<b>POL 1994 / .. (colour)</b> contact parts nickel-plated	200 Ncm	black red		< 2 mΩ	30 V <sub>AC</sub> 60 V <sub>DC</sub>	25 A	- 25 °C ... + 80 °C

other types on request



**Safety threaded socket**

- for fitting into panels up to 11 mm thick
- round fastening nut M12 x 0.75

**order no. SEB 1987 / ..(colour)**  
 - contact part **nickel-plated**  
 - thread **M4**  
 - insulation **PA 6.6 (Polyamid)**

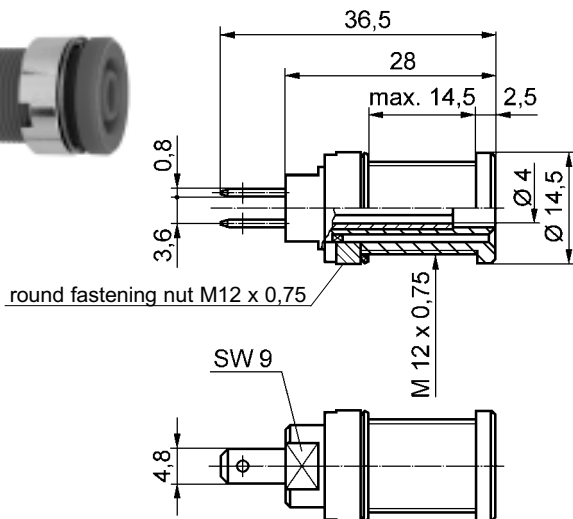
**order no. SEB 1987 AU / ..(colour)**  
 - as above  
 - contact part **gold-plated**

**colours** see table

The hexagon socket has the following advantages:

1. When fitting the socket in a front panel this can be accomplished with an Allen key.
2. The Allen key can be used to counterhold when tightening the socket (no special key necessary).
3. When tightening the M4 nut the Allen key can be used to counterhold it.

Note: All Schützinger safety threaded and press-in sockets can be supplied with a hexagonal socket on request!




**Safety switch socket**

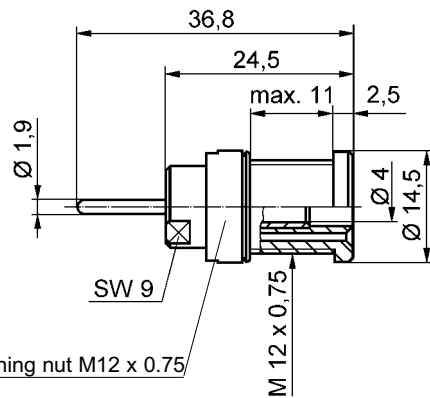
- for fitting into panels up to 14,5 mm thick
- round fastening nut M12 x 0,75

**order no. SEB 3090 / ..(colour)**  
 - contact part **nickel-plated**  
 - insulation **PA 6.6 (Polyamid)**

**colours** see table

General information			Technical data				
	<b>max. torque for the fastening nuts</b>	<b>colours</b>	<b>terminal</b>	<b>transition resistance</b>	<b>rated voltage</b>	<b>rated current</b>	rated impulse voltage 8kV, 1,2 / 50 µs test voltage 4350 V
							<b>operating temperature</b>
<b>order no.</b> <b>SEB 1987 / ..(colour)</b> contact part nickel-plated <b>SEB 1987 AU / ..(colour)</b> contact part gold-plated	100 Ncm  100 Ncm	black, red, blue, green, yellow, green-yellow	M4	5 mΩ	1500 V CAT II	32 A	- 40 °C ... + 80 °C
<b>SEB 3090/ ..(colour)</b> contact part nickel-plated	100 Ncm	black, red, blue, green, yellow, green-yellow	soldering, cable lug	5 mΩ	1500 V CAT II	20 A	- 40 °C ... + 80 °C

other terminals, colours and platings on request



round fastening nut M12 x 0.75

### Safety threaded socket

- for fitting into panels up to 11 mm thick
- round fastening nut M12 x 0.75

#### order no. SEB 1764 / ..(colour)

- contact part **nickel-plated**
- pin 11.9 x Ø 1.9
- insulation PA 6.6 (Polyamid)

#### order no. SEB 1764 AU / ..(colour)

- as above
- contact part **gold-plated**

colours see table

### Safety press in socket

- for pressing into panel,
- with hole  $\varnothing 12.2 \pm 0.1$  mm, sunk one side (0.5 x 45°)
- panel thickness
  - metal-panels  $\geq 1$  mm
  - plastic-panels  $\geq 2$  mm

#### order no. SEPB 1765 / ..(colour)

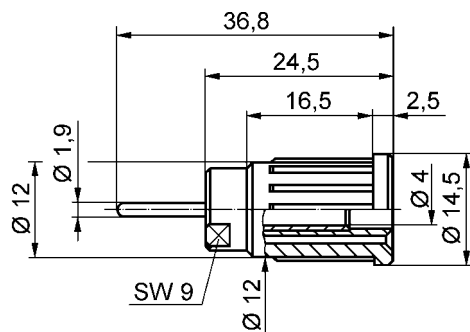
- contact part **nickel-plated**
- pin 11.9 x Ø 1.9
- insulation PA 6.6 (Polyamid)


#### order no. SEPB 1765 AU / ..(colour)

- as above
- contact part **gold-plated**

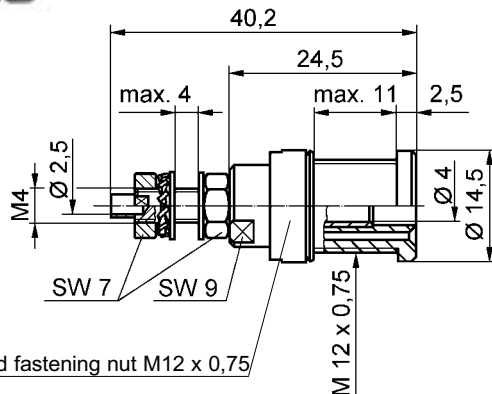
colours see table

Ø 4 safety



General information			Technical data				
	<b>max. torque for the fastening nuts</b>	<b>colours</b>	<b>terminal</b>	<b>transition resistance</b>	<b>rated voltage</b>	<b>rated current</b>	rated impulse voltage 8kV, 1.2 / 50 µs test voltage 4350 V
							<b>operating temperature</b>
<b>order no.</b> <b>SEB 1764 / ..(colour)</b> contact part nickel-plated	100 Ncm	black, red, blue, green,	PIN Ø 1.9 x 11.9	5 mΩ	1500 V CAT II	24 A	- 40 °C ... + 80 °C
<b>SEB 1764 AU / ..(colour)</b> contact part gold-plated	100 Ncm	yellow, green-yellow					
<b>SEPB 1765 / ..(colour)</b> contact part nickel-plated	—	black, red, blue, green,	PIN Ø 1.9 x 11.9	5 mΩ	1500 V CAT II	24 A	- 40 °C ... + 80 °C
<b>SEPB 1765 AU / ..(colour)</b> contact part gold-plated	—	yellow, green-yellow					

other terminals, colours and platings on request



round fastening nut M12 x 0,75

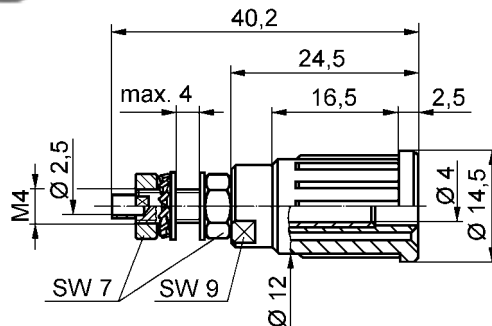
**Safety threaded socket**

- for fitting into panels up to 11 mm thick
- round fastening nut M12 x 0.75

**order no. SEB 1768 / ..(colour)**  
- contact part **nickel-plated**  
- thread M4  
- insulation PA 6.6 (Polyamid)

**order no. SEB 1768 AU / ..(colour)**  
- as above  
- contact part **gold-plated**

**colour:** see table




**Safety press-in socket**

- for pressing into panel,
- with hole  $\varnothing 12.2 \pm 0.1$  mm, sunk on one side ( $0.5 \times 45^\circ$ )
- panel thickness  
metal-panels  $\geq 1$  mm  
plastic-panels  $\geq 2$  mm

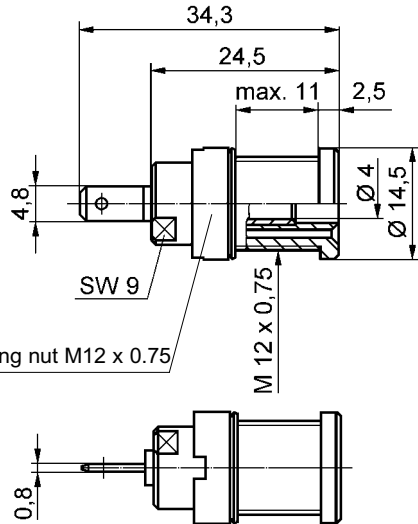
**order no. SEPB 1781 / ..(colour)**  
- contact part **nickel-plated**  
- thread M4  
- insulation PA 6.6 (Polyamid)

**order no. SEPB 1781 AU / ..(colour)**  
- as above  
- contact part **gold-plated**

**colour:** see table

General information			Technical data				
	<b>max. torque for the fastening nuts</b>	<b>colours</b>	rated impulse voltage 8kV, 1,2 / 50 $\mu$ s test voltage 4350 V				
			<b>terminal</b>	<b>transition resistance</b>	<b>rated voltage</b>	<b>rated current</b>	<b>operating temperature</b>
<b>order no.</b>							
<b>SEB 1768 / ..(colour)</b> contact part nickel-plated	100 Ncm	black, red, blue, green,	M4	5 m $\Omega$	1500 V CAT II	32 A	- 40 °C ... + 80 °C
<b>SEB 1768 AU / ..(colour)</b> contact part gold-plated	100 Ncm	yellow, green-yellow					
<b>SEPB 1781 / ..(colour)</b> contact part nickel-plated	—	black, red, blue, green,	M4	5 m $\Omega$	1500 V CAT II	32A	- 40 °C ... + 80 °C
<b>SEPB 1781 AU / ..(colour)</b> contact part gold-plated	—	yellow, green-yellow					

other terminals, colours and platings on request



### Safety threaded socket

- for fitting into panels up to 11 mm thick
- round fastening nut M12 x 0.75

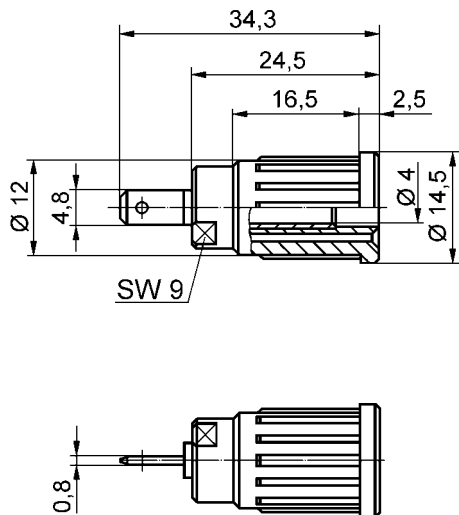
**order no. SEB 1772 / ..(colour)**

- contact part **nickel-plated**
- tab 4.8 x 0.8
- insulation PA 6.6 (Polyamid)

**order no. SEB 1772 AU / ..(colour)**

- as above
- contact part **gold-plated**

colours see table



### Safety press-in socket

- for pressing into panel,
- with hole  $\varnothing 12.2 \pm 0.1$  mm, sunk on one side ( $0.5 \times 45^\circ$ )
- panel thickness
  - metal-panels  $\geq 1$  mm
  - plastic-panels  $\geq 2$  mm

**order no. SEPB 1773 / ..(colour)**


- contact part **nickel-plated**
- tab 4.8 x 0.8
- insulation PA 6.6 (Polyamid)

**order no. SEPB 1773 AU / ..(colour)**

- as above
- contact part **gold-plated**

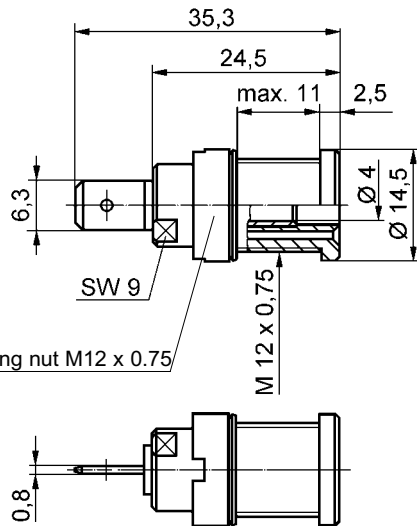
colours see table

ø 4 safety

General information			Technical data				
	<b>max. torque for the fastening nuts</b>	<b>colours</b>	<b>terminal</b>	<b>transition resistance</b>	<b>rated voltage</b>	<b>rated current</b>	rated impulse voltage 8kV, 1.2 / 50 $\mu$ s test voltage 4350 V
							<b>operating temperature</b>
<b>order no.</b>							
<b>SEB 1772 / ..(colour)</b> contact part nickel-plated	100 Ncm	black, red, blue, green, yellow, green-yellow	FS 4.8 x 0.8	5 m $\Omega$	1500 V CAT II	24 A	- 40 °C ... + 80 °C
<b>SEB 1772 AU / ..(colour)</b> contact part gold-plated	100 Ncm	black, red, blue, green, yellow, green-yellow	FS 4.8 x 0.8	5 m $\Omega$	1500 V CAT II	24 A	- 40 °C ... + 80 °C
<b>SEPB 1773 / ..(colour)</b> contact part nickel-plated	—	black, red, blue, green, yellow, green-yellow	FS 4.8 x 0.8	5 m $\Omega$	1500 V CAT II	24 A	- 40 °C ... + 80 °C
<b>SEPB 1773 AU / ..(colour)</b> contact part gold-plated	—	black, red, blue, green, yellow, green-yellow	FS 4.8 x 0.8	5 m $\Omega$	1500 V CAT II	24 A	- 40 °C ... + 80 °C

other terminals, colours and platings on request





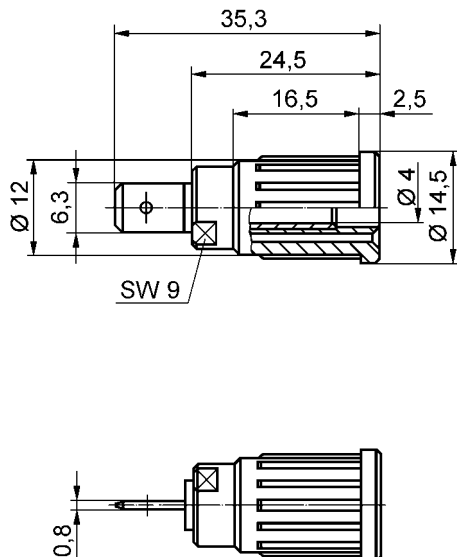
**Safety threaded socket**

- for fitting into panels up to 11 mm thick
- round fastening nut M12 x 0.75

**order no. SEB 1776 / ..(colour)**  
 - contact part **nickel-plated**  
 - tab 6.3 x 0.8  
 - insulation PA 6.6 (Polyamid)

**order no. SEB 1776 AU / ..(colour)**  
 - as above  
 - contact part **gold-plated**

colours see table




**Safety press-in socket**

- for pressing into panel,
- with hole  $\varnothing 12.2 \pm 0.1$  mm, sunk on one side (0.5 x 45°)
- panel thickness  
 metal-panels  $\geq 1$  mm  
 plastic-panels  $\geq 2$  mm

**order no. SEPB 1777 / ..(colour)**  
 - contact part **nickel-plated**  
 - tab 6.3 x 0.8  
 - insulation PA 6.6 (Polyamid)

**order no. SEPB 1777 AU / ..(colour)**  
 - as above  
 - contact part **gold-plated**

colours see table

General information			Technical data				
	<b>max. torque for the fastening nuts</b>	<b>colours</b>	<b>terminal</b>	<b>transition resistance</b>	<b>rated voltage</b>	<b>rated current</b>	rated impulse voltage 8kV, 1,2 / 50 $\mu$ s test voltage 4350 V
							<b>operating temperature</b>
<b>order no.</b> <b>SEB 1776 / ..(colour)</b> contact part nickel-plated <b>SEB 1776 AU / ..(colour)</b> contact part gold-plated	100 Ncm  100 Ncm	black, red, blue, green, yellow, green-yellow	FS 6.3 x 0.8	5 m $\Omega$	1500 V CAT II	32 A	- 40 °C ... + 80 °C
<b>SEPB 1777 / ..(colour)</b> contact part nickel-plated <b>SEPB 1777 AU / ..(colour)</b> contact part gold-plated	—  —	black, red, blue, green, yellow, green-yellow	FS 6.3 x 0.8	5 m $\Omega$	1500 V CAT II	32 A	- 40 °C ... + 80 °C

other terminals, colours and platings on request