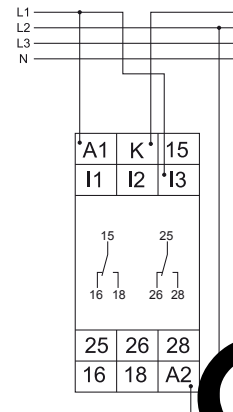
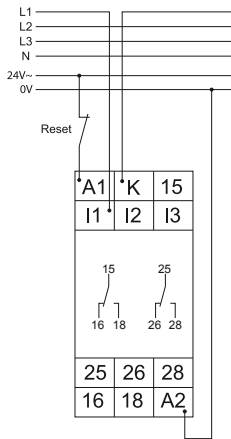


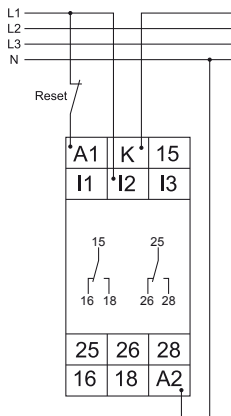
Connections

Range 10A with power modul 400V AC without fault latch

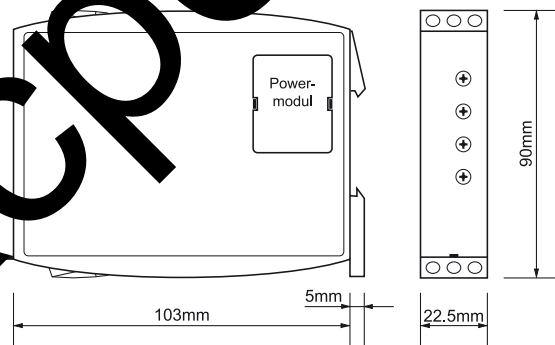
Range 100mA with power modul 24V AC and fault latch



Range 1A with power modul 230V AC and fault latch



Dimensions



www.dacpol.eu